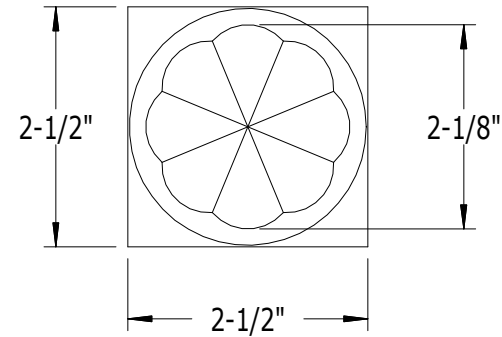
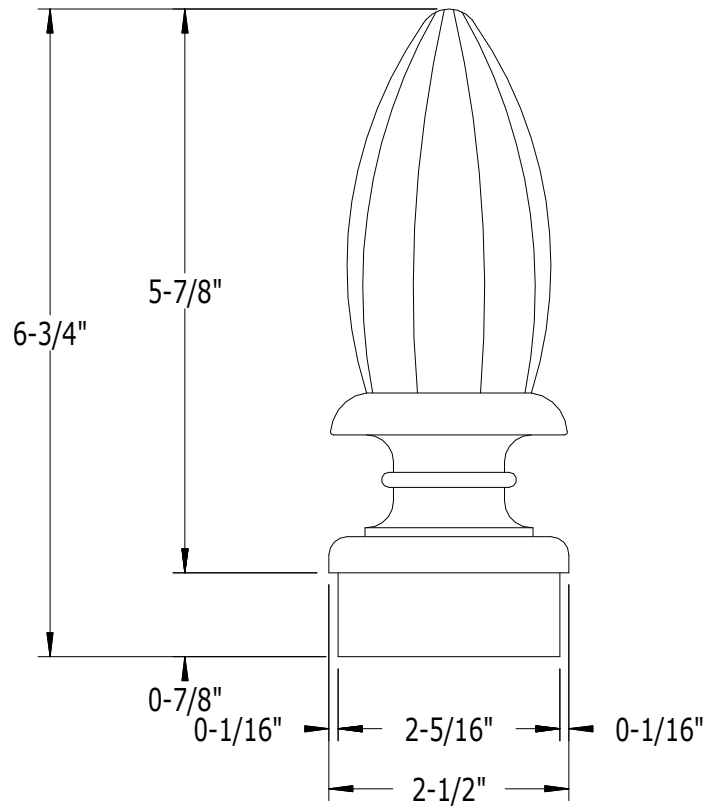


SCALE: 1/2



PART NO.

DESCRIPTION

992

FINIAL FOR 2-1/2" SQ. POST

**SUPERIOR**  
ALUMINUM PRODUCTS