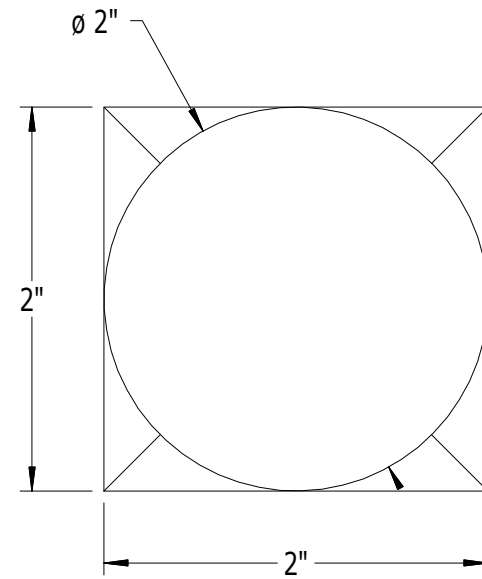
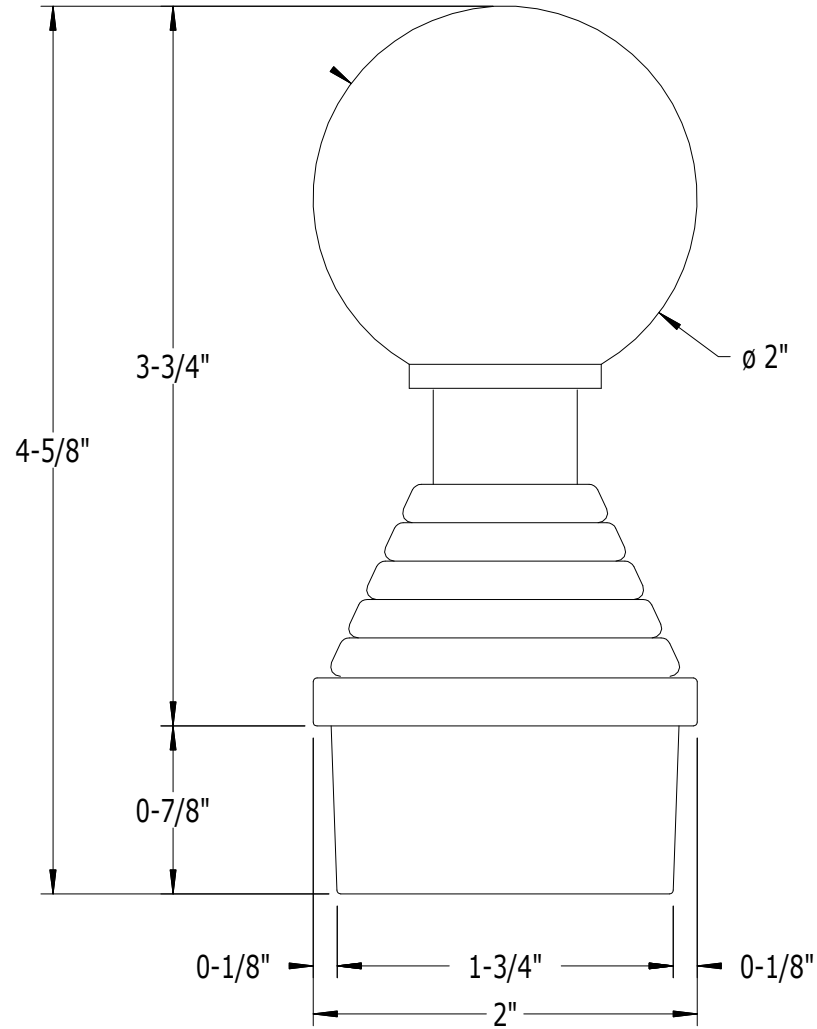


SCALE: 1/1



| PART NO. | DESCRIPTION |
|----------|--------------------------|
| 989 | BALL CAP FOR 2" SQ. POST |

SUPERIOR
ALUMINUM PRODUCTS