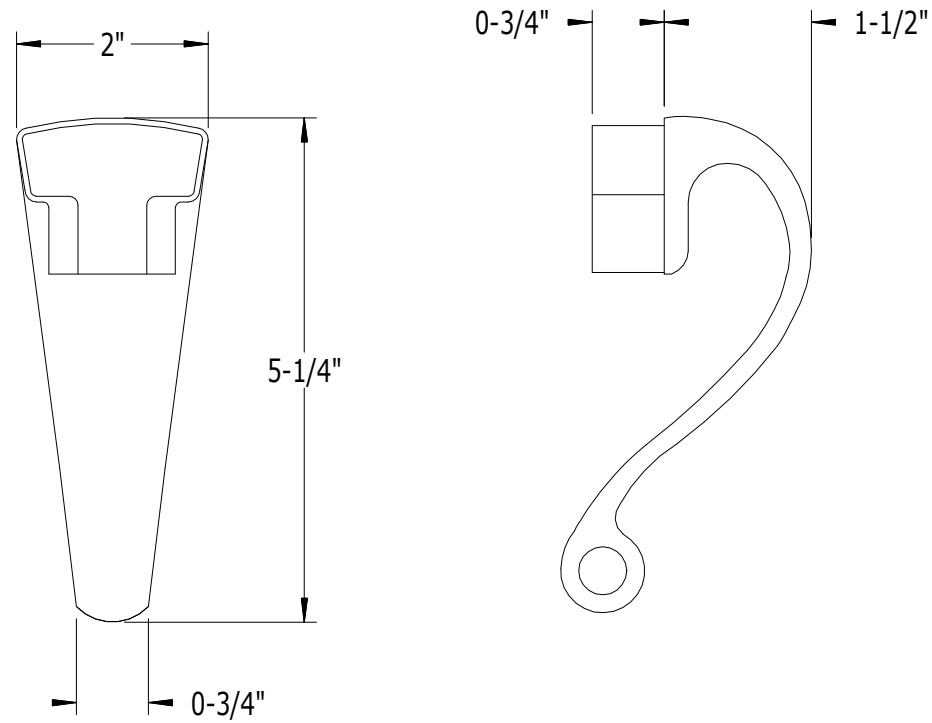


SCALE: 1/2



PART NO.

DESCRIPTION

986

LAMBS TONGUE FOR #905 TOP RAIL

**SUPERIOR**  
ALUMINUM PRODUCTS