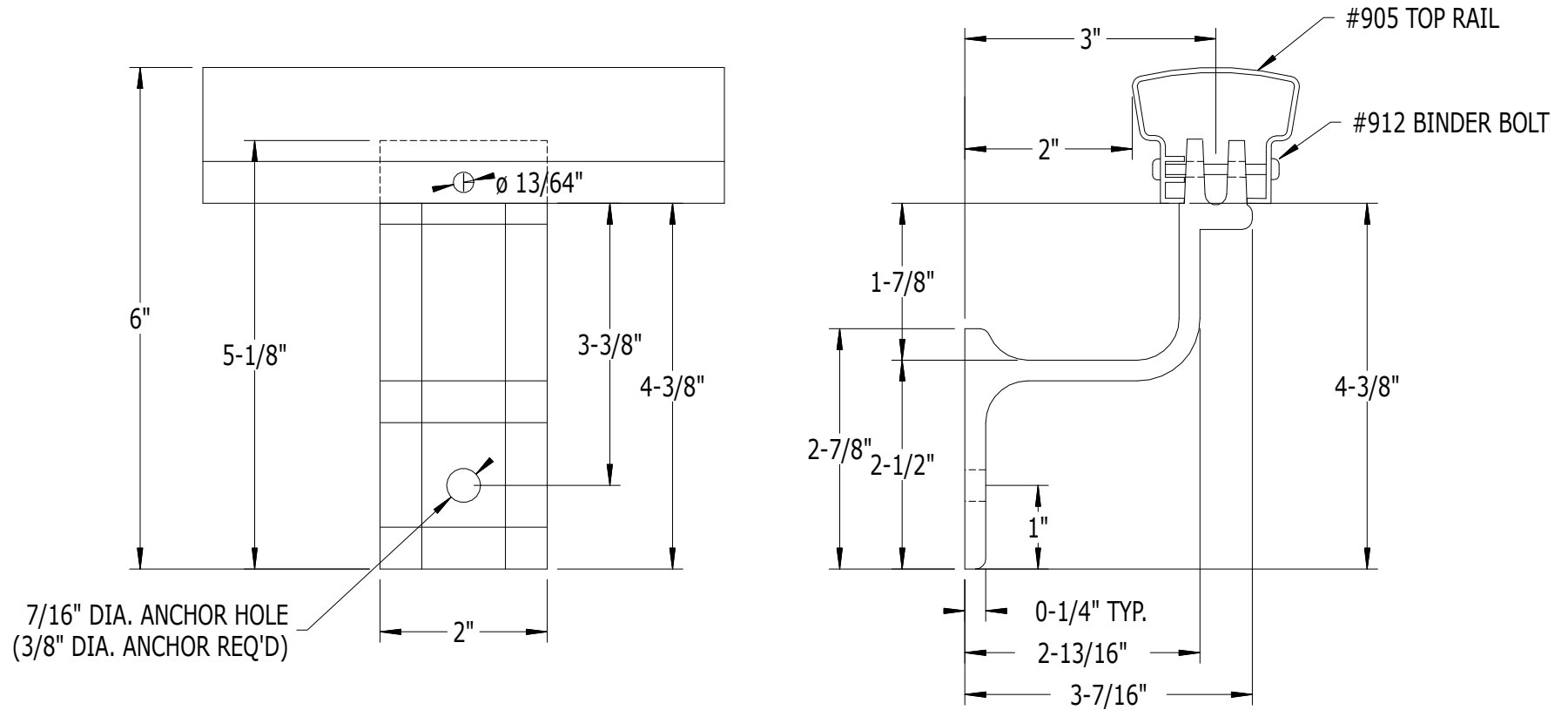


SCALE: 1/2



PART NO.

DESCRIPTION

985

WALL BRACKET FOR
#901, #902, & #905 TOP RAILS

SUPERIOR
ALUMINUM PRODUCTS