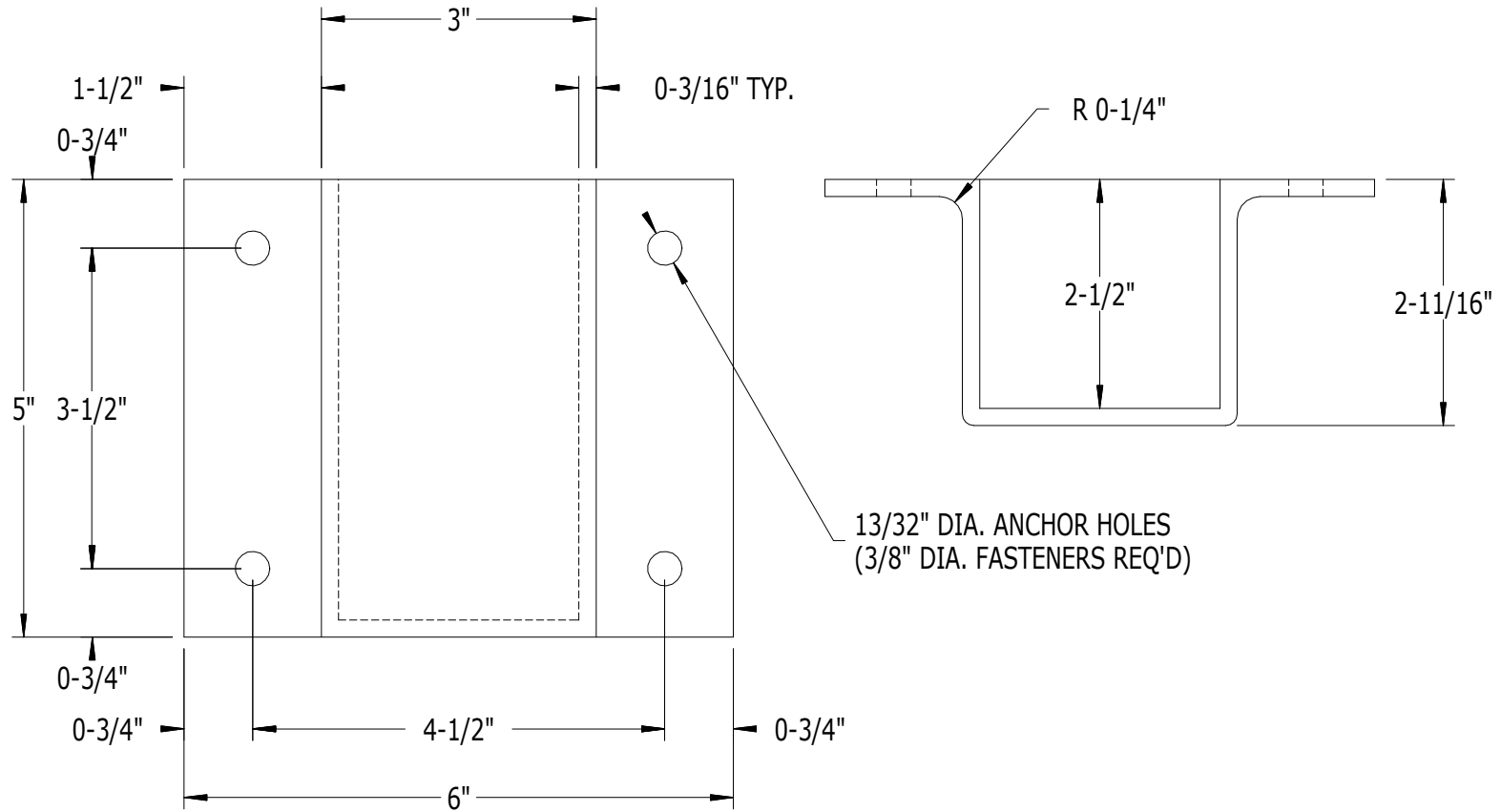


SCALE: 1/2



PART NO.

DESCRIPTION

975

SIDE MOUNT BASE FOR 2-1/2" SQ. POST

**SUPERIOR**  
ALUMINUM PRODUCTS