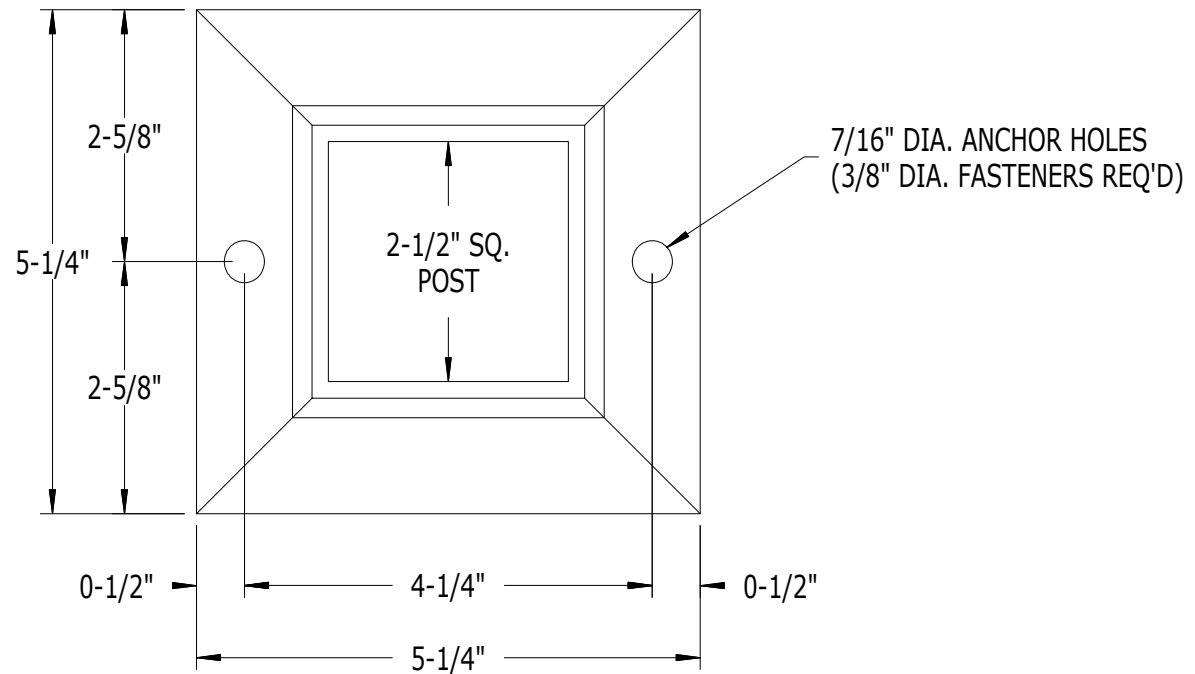
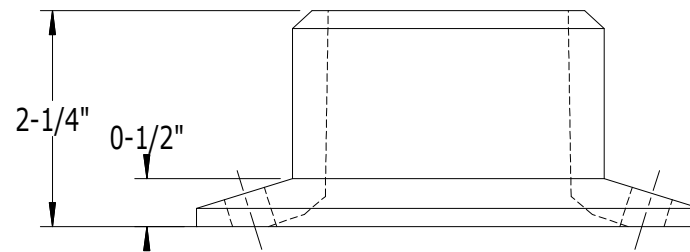


SCALE: 1/2



7/16" DIA. ANCHOR HOLES  
(3/8" DIA. FASTENERS REQ'D)

2-1/2" SQ.  
POST



2-1/2" SQ. POST FITTED WITH  
2.3" SQ. x 1/4" WALL x 2-7/8" LONG  
6063-T6 REINFORCEMENT BAR

**BASES ARE WELDED  
ONTO POSTS**

PART NO.	DESCRIPTION
973S	SHORT HEAVY DUTY WELDED BASE FOR 2-1/2" SQ. POST

**SUPERIOR**  
ALUMINUM PRODUCTS