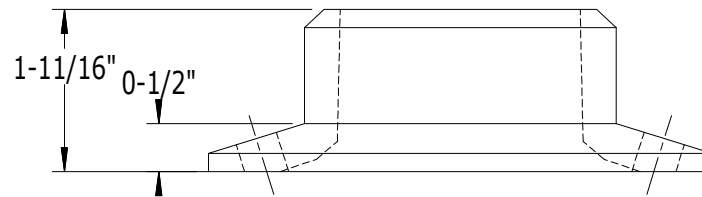
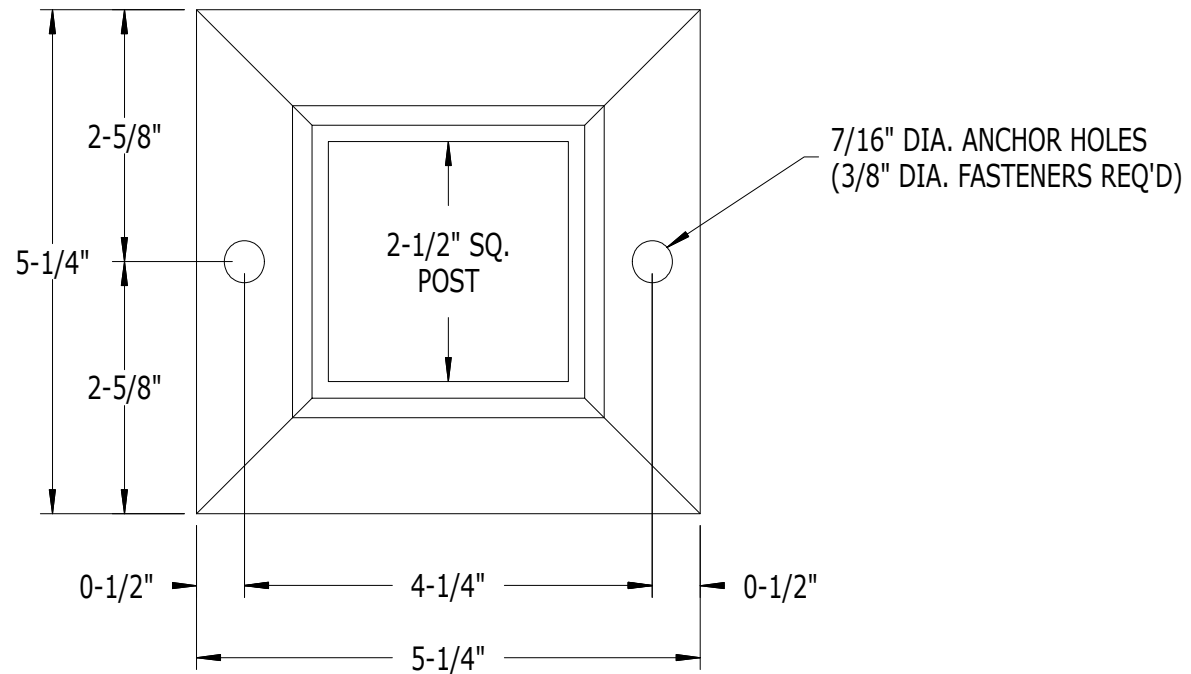


SCALE: 1/2



**BASES ARE WELDED
ONTO POSTS**

2-1/2" SQ. POST FITTED WITH
2.3" SQ. x 1/4" WALL x 3-5/8" LONG
6063-T6 REINFORCEMENT BAR

PART NO.	DESCRIPTION
973ES	EXTRA SHORT HEAVY DUTY WELDED BASE FOR 2-1/2" SQ. POST

SUPERIOR
ALUMINUM PRODUCTS