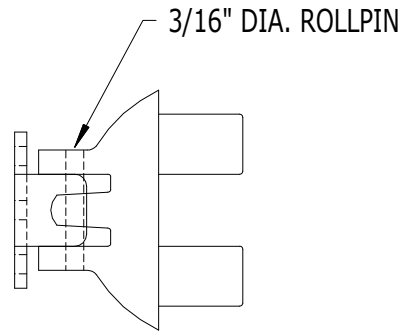
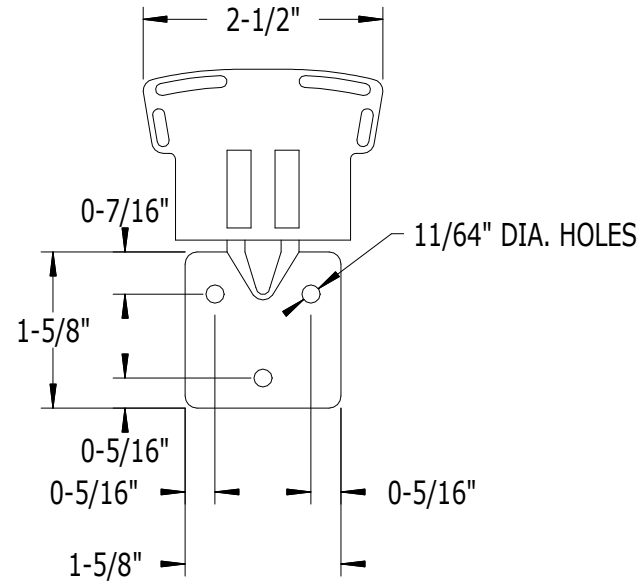
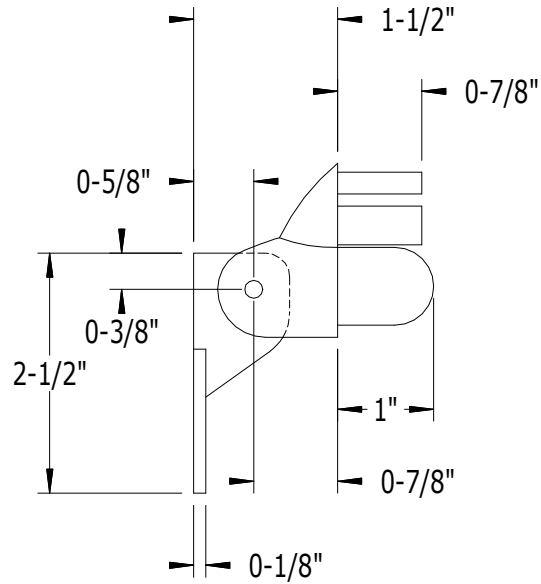


SCALE: 1/2



PART NO.

DESCRIPTION

955

VERTICAL SWIVEL BRACKET
FOR #901 TOP RAIL

SUPERIOR
ALUMINUM PRODUCTS