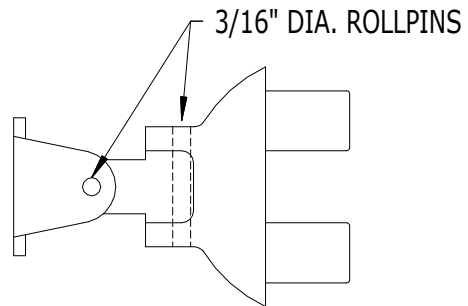
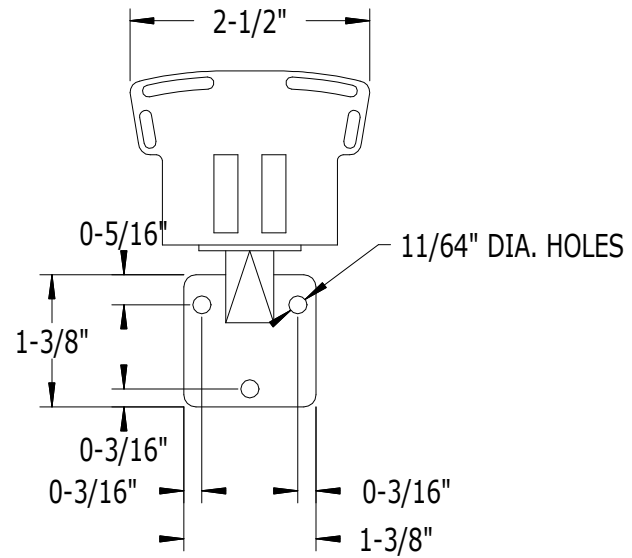
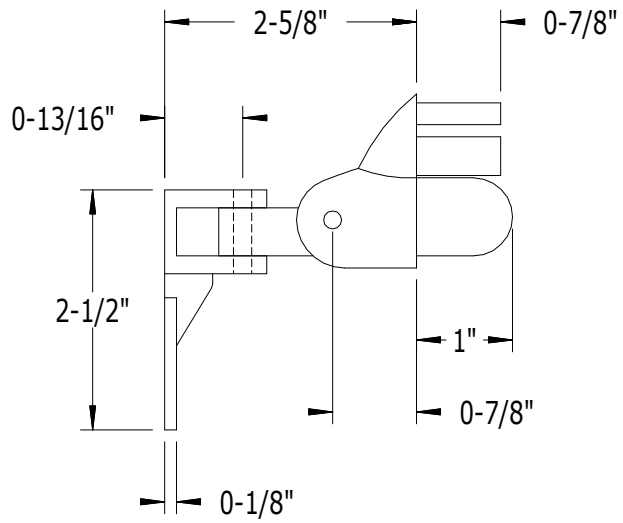


SCALE: 1/2



PART NO.

DESCRIPTION

953T

2-WAY SWIVEL BRACKET  
FOR #901 TOP RAIL

**SUPERIOR**  
ALUMINUM PRODUCTS