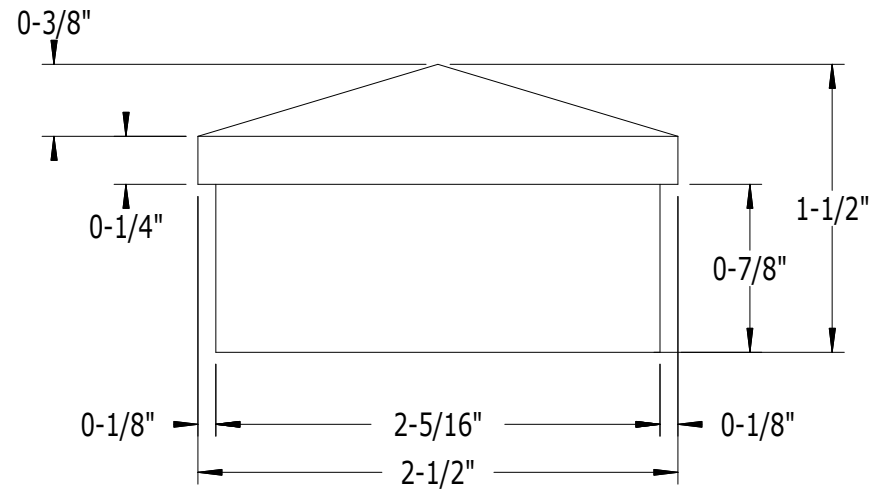
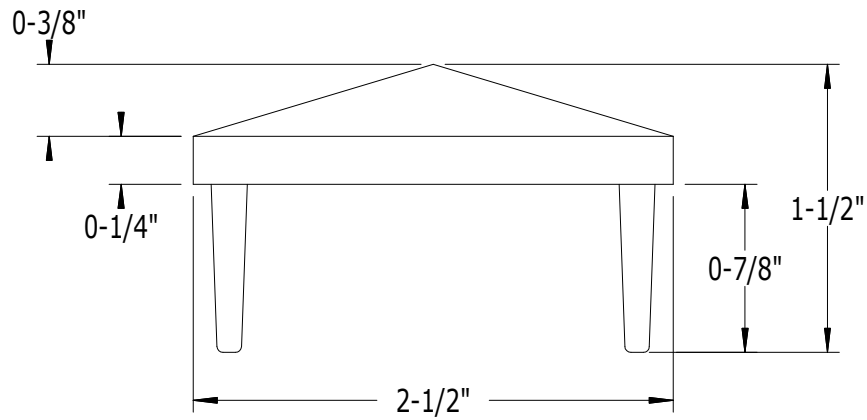
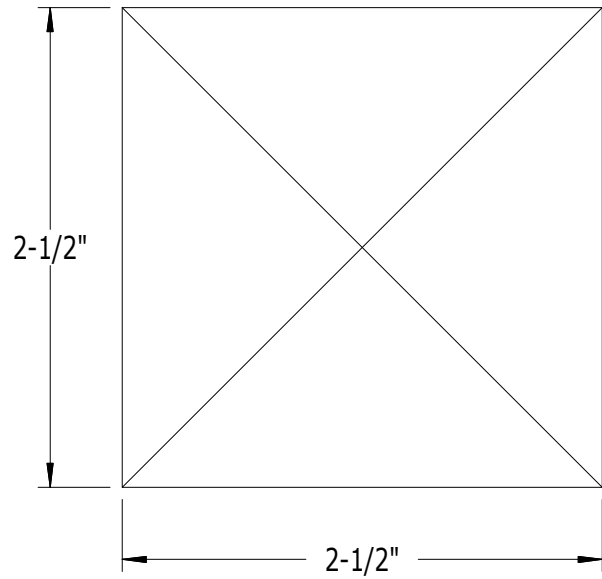


SCALE: 1/1



PART NO.

DESCRIPTION

950

CAP FOR 2-1/2" SQ. POST

**SUPERIOR**  
ALUMINUM PRODUCTS