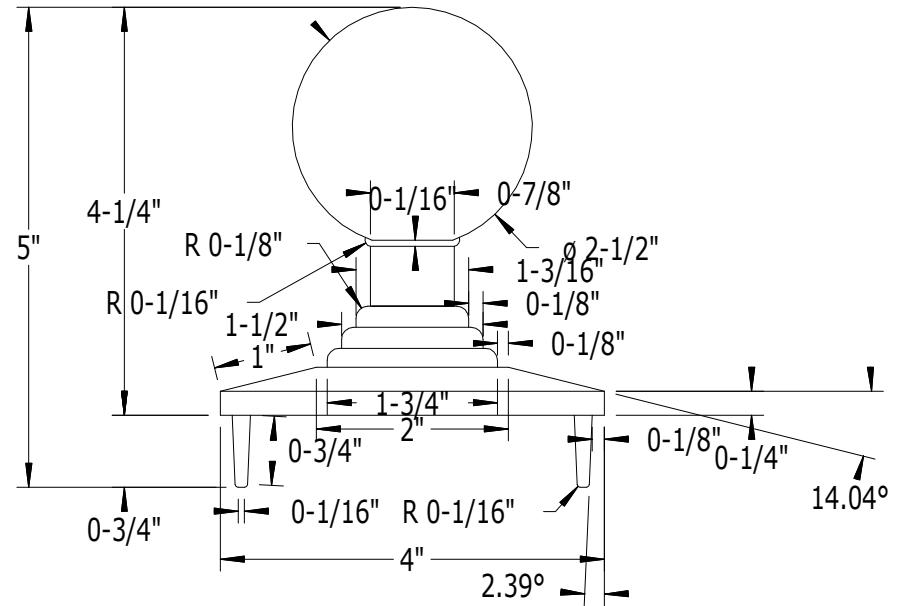
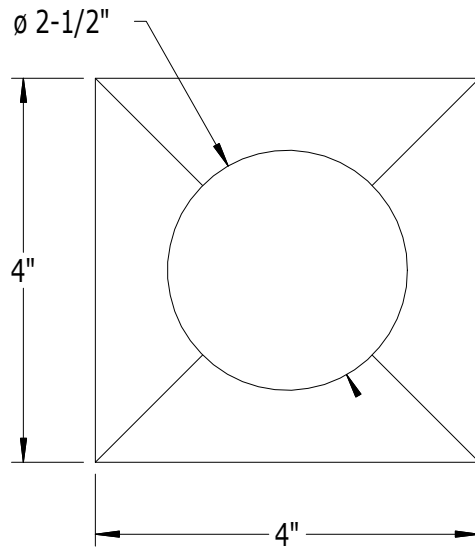


SCALE: 1/2



PART NO.

DESCRIPTION

943

BALL CAP FOR 4" SQ. POST
WITH 2-1/2" DIAMETER BALL

SUPERIOR
ALUMINUM PRODUCTS