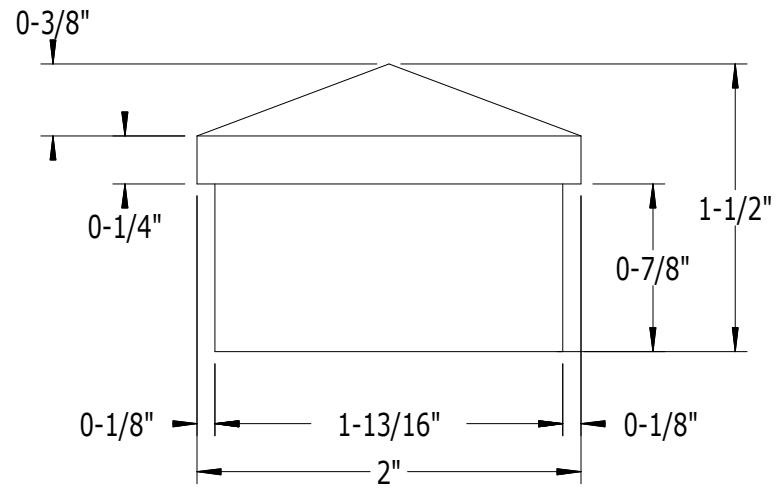
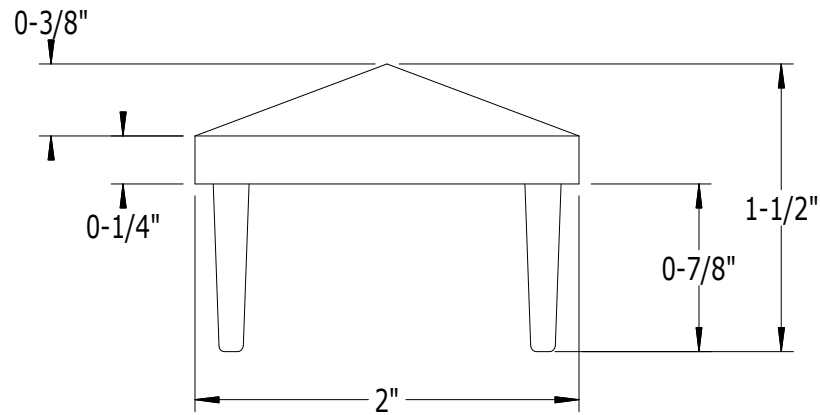
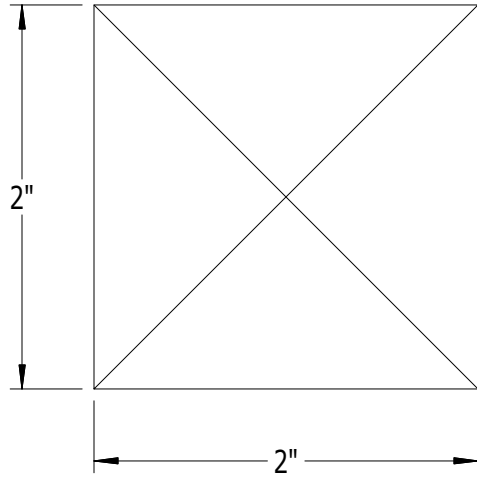


SCALE: 1/1



PART NO.

DESCRIPTION

942

CAP FOR 2" SQ. POST

SUPERIOR
ALUMINUM PRODUCTS