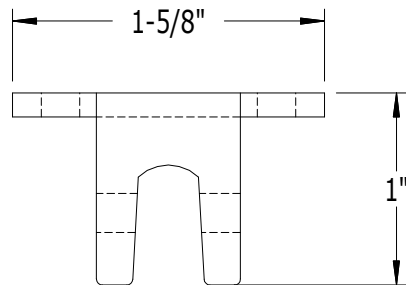
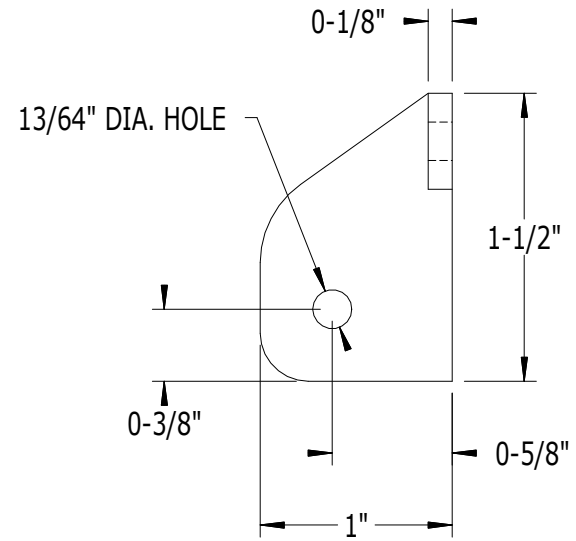
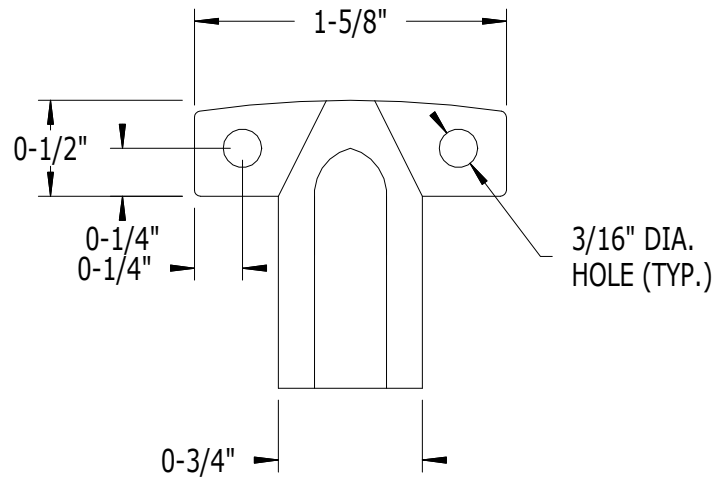


SCALE: 1/1



PART NO.	DESCRIPTION
940C	CONCEALED END BRACKET FOR #901 & #905 TOP RAIL

SUPERIOR
ALUMINUM PRODUCTS