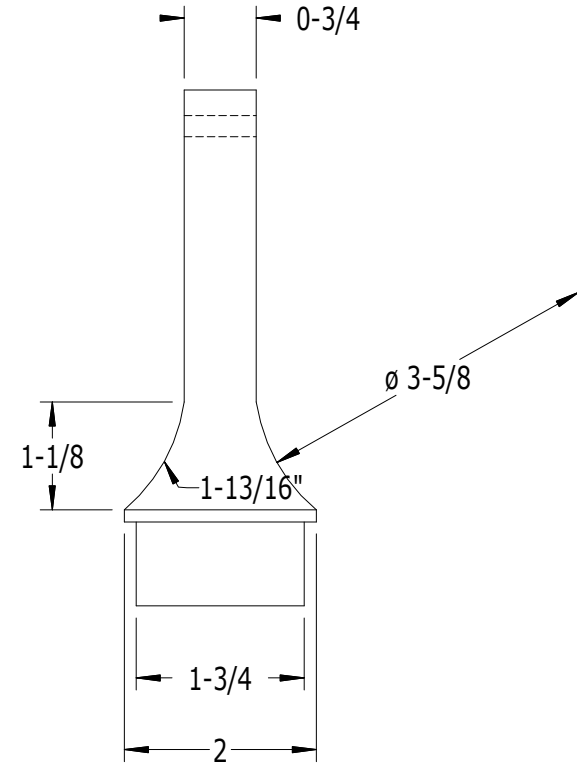
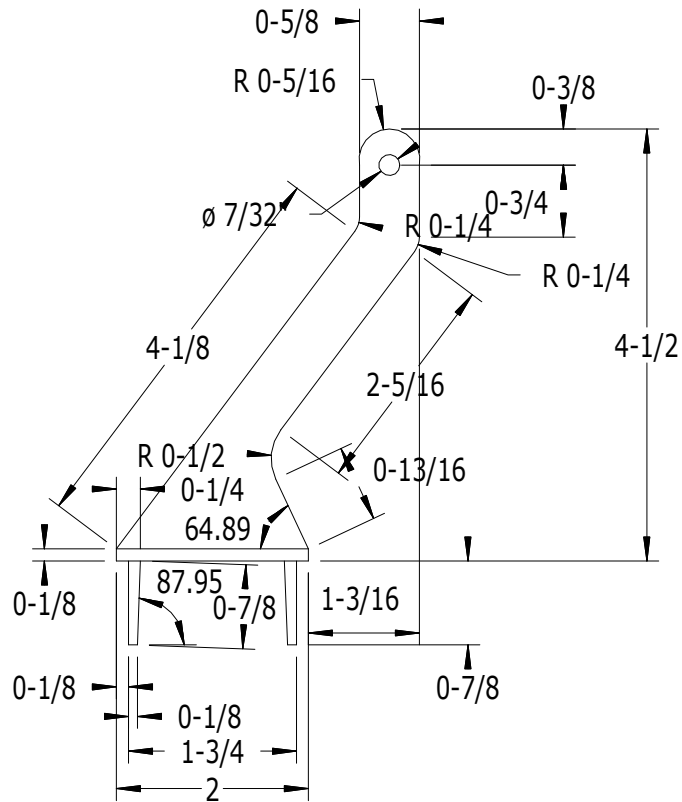


SCALE: 1/2



PART NO.

DESCRIPTION

938

CROSSOVER CAP FOR
2" SQ. BOTTOM STEP POST

SUPERIOR
ALUMINUM PRODUCTS