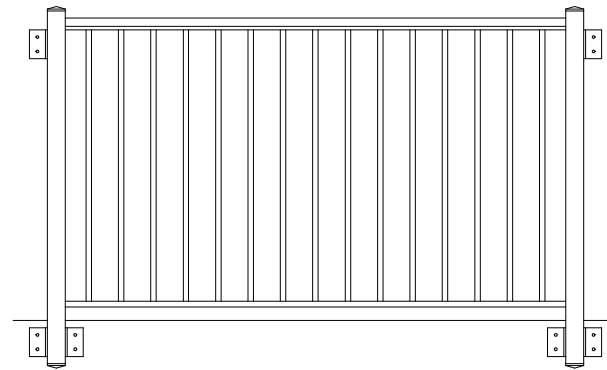
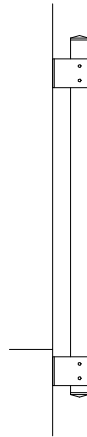
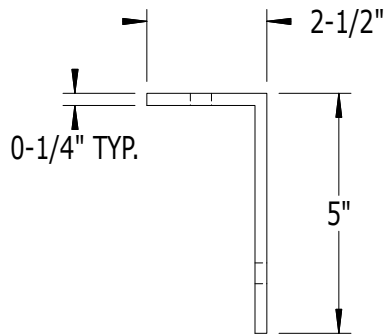
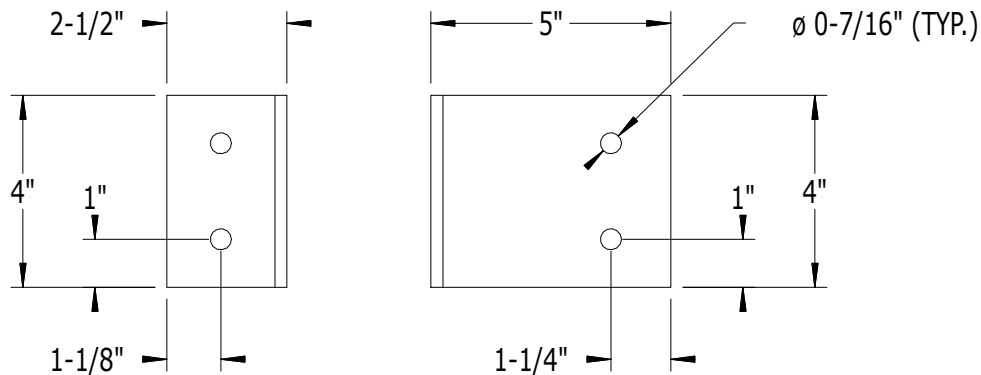


SCALE: 1/4

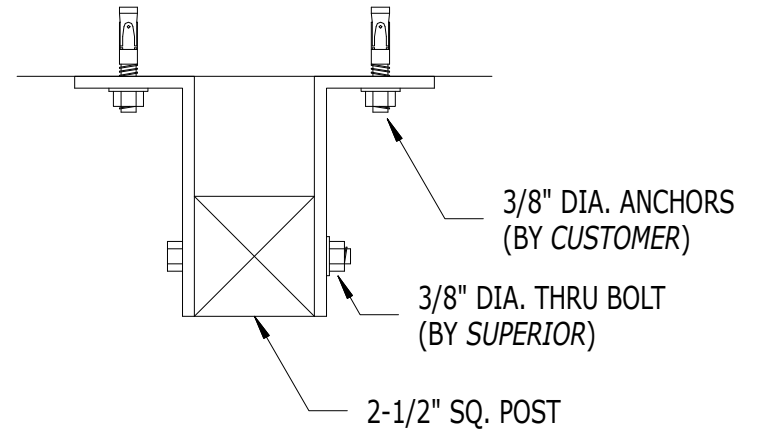


TYPICAL APPLICATION

**SUPERIOR TO DRILL ALL HOLES IN L-BRACKETS.
CUSTOMER TO DRILL HOLES IN POSTS
TO ATTACH L-BRACKETS WITH THRU BOLTS.**



#936 HANGING L-BRACKET DETAIL
(2 PER SET)



#936 HANGING L-BRACKET
ASSEMBLED DETAIL

PART NO.	DESCRIPTION
936	HANGING RAIL L-BRACKETS

SUPERIOR
ALUMINUM PRODUCTS