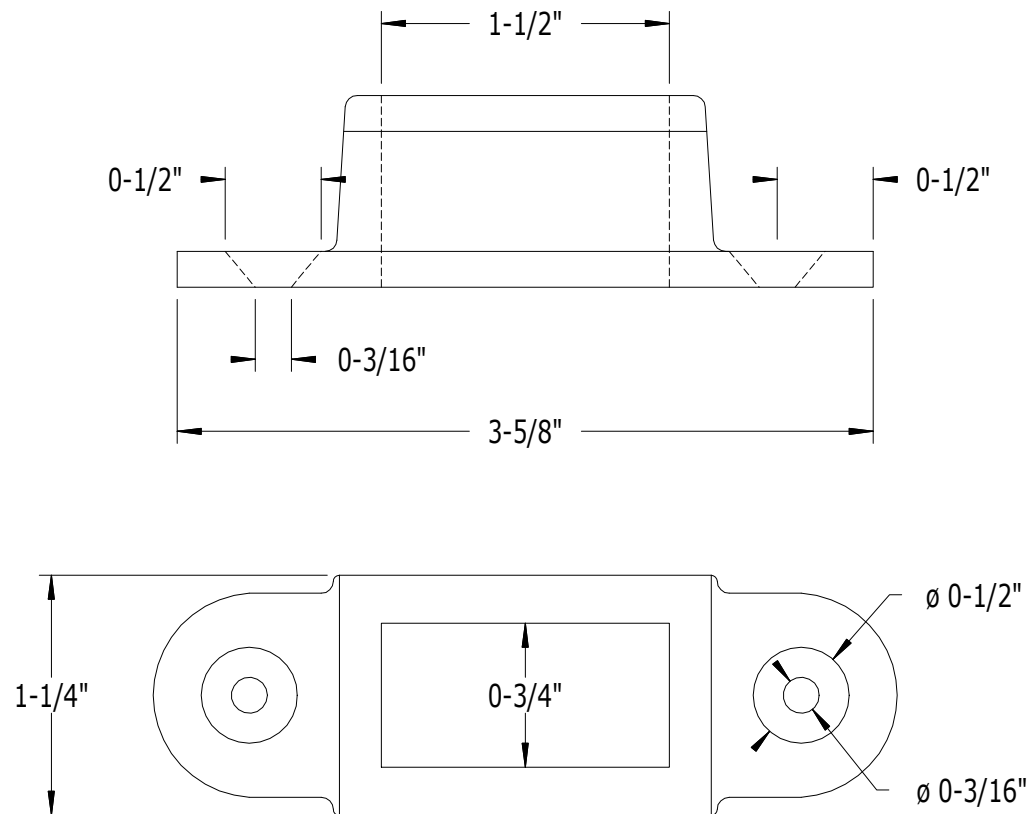


SCALE: 1/1



PART NO.

DESCRIPTION

922

BASE FOR 1-1/2" x 3/4"
RECTANGULAR PICKET

SUPERIOR
ALUMINUM PRODUCTS