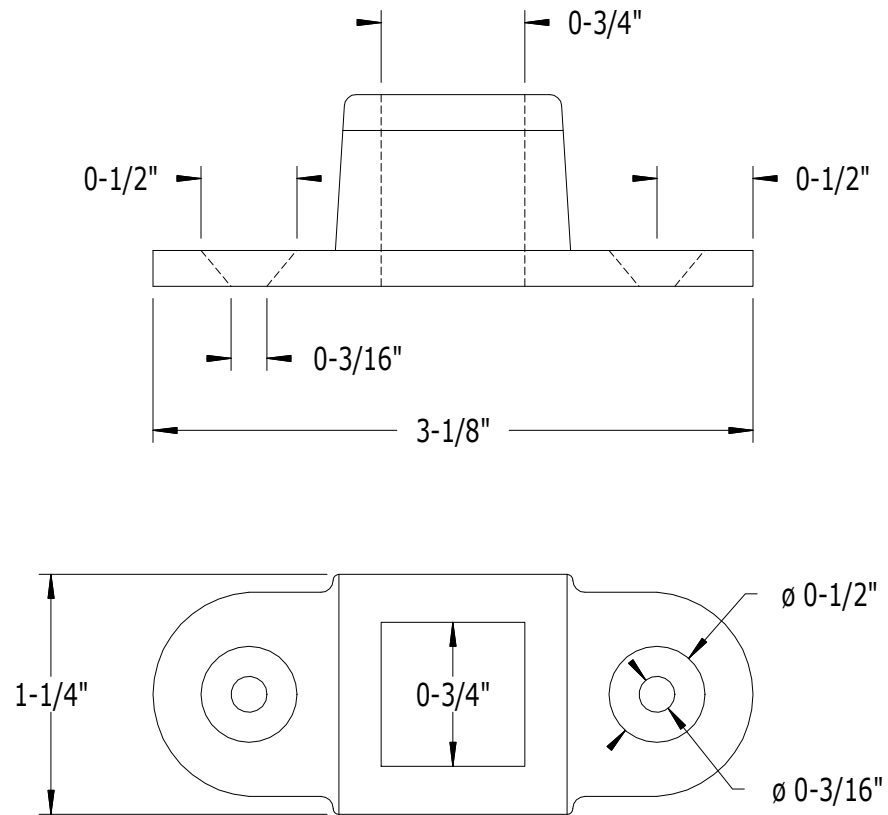


SCALE: 1/1



PART NO.

DESCRIPTION

921

BASE FOR 3/4" SQ. PICKET

SUPERIOR
ALUMINUM PRODUCTS