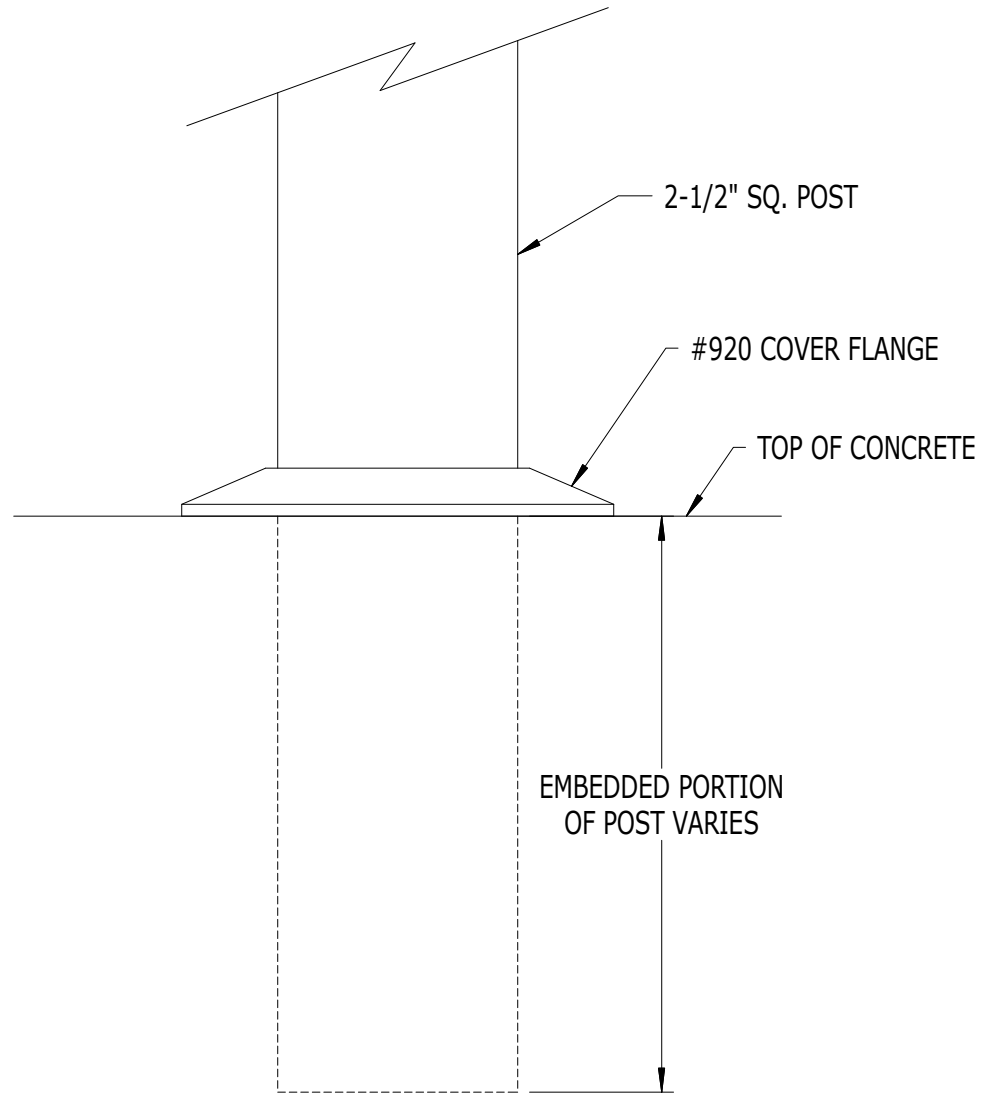
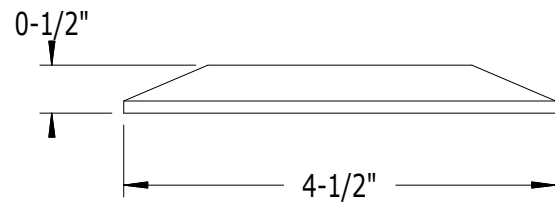
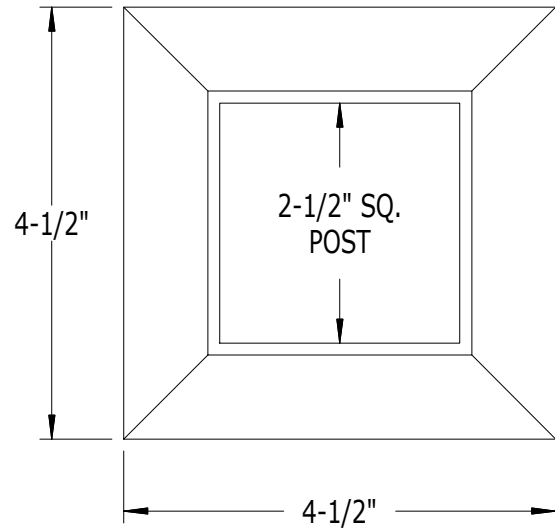


SCALE: 1/2



PART NO.

DESCRIPTION

920

COVER FLANGE FOR 2-1/2" SQ. POST

SUPERIOR
ALUMINUM PRODUCTS