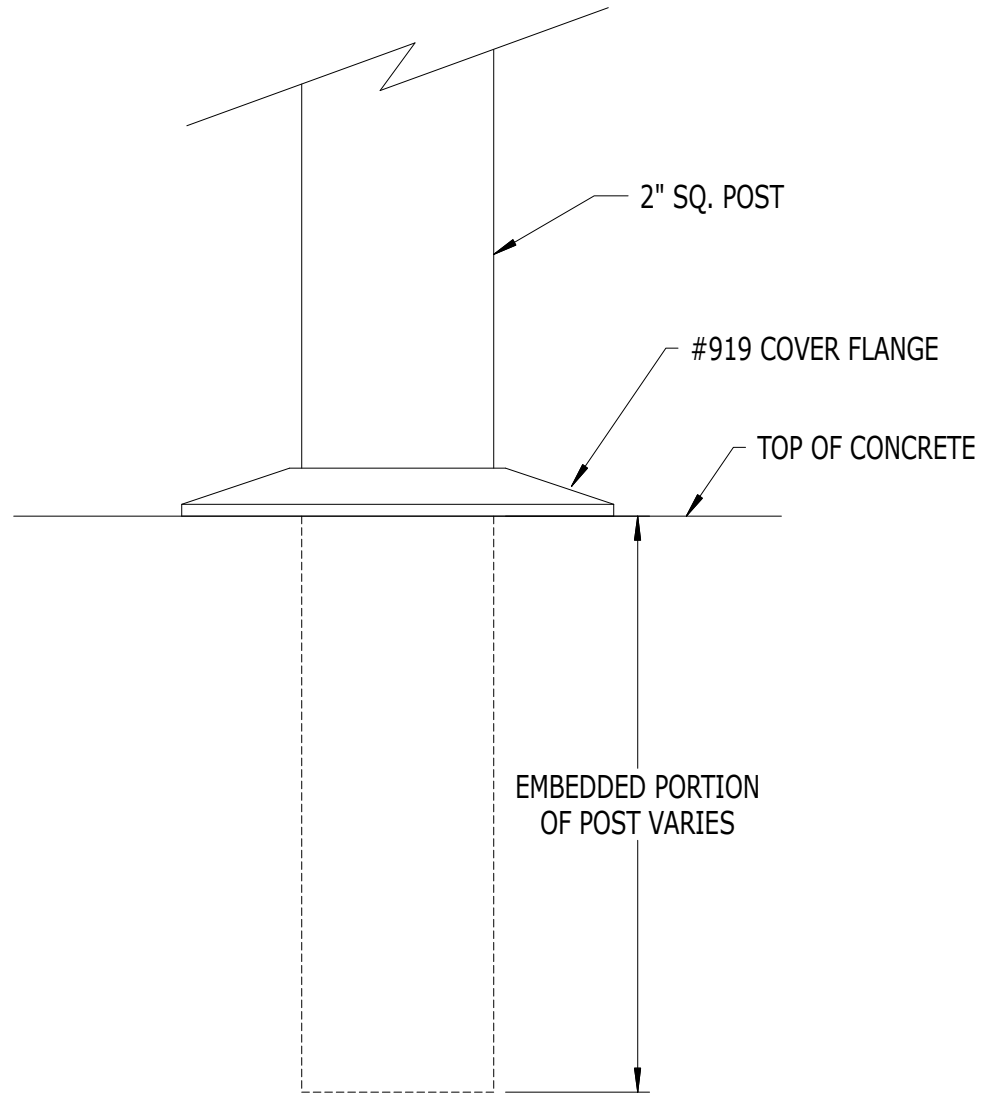
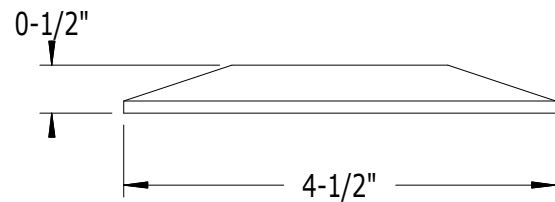
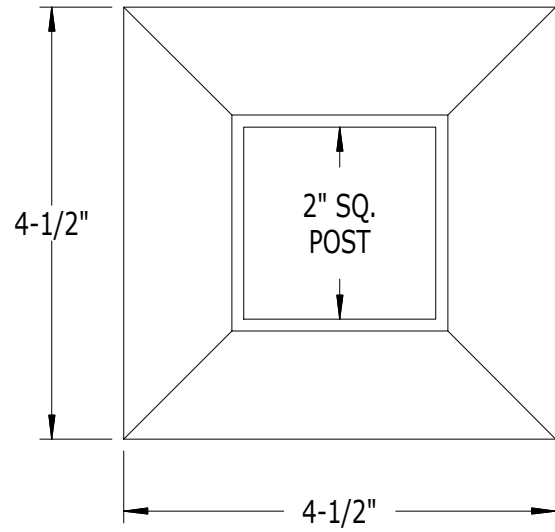


SCALE: 1/2



PART NO.	DESCRIPTION
919	COVER FLANGE FOR 2" SQ. POST

SUPERIOR
ALUMINUM PRODUCTS