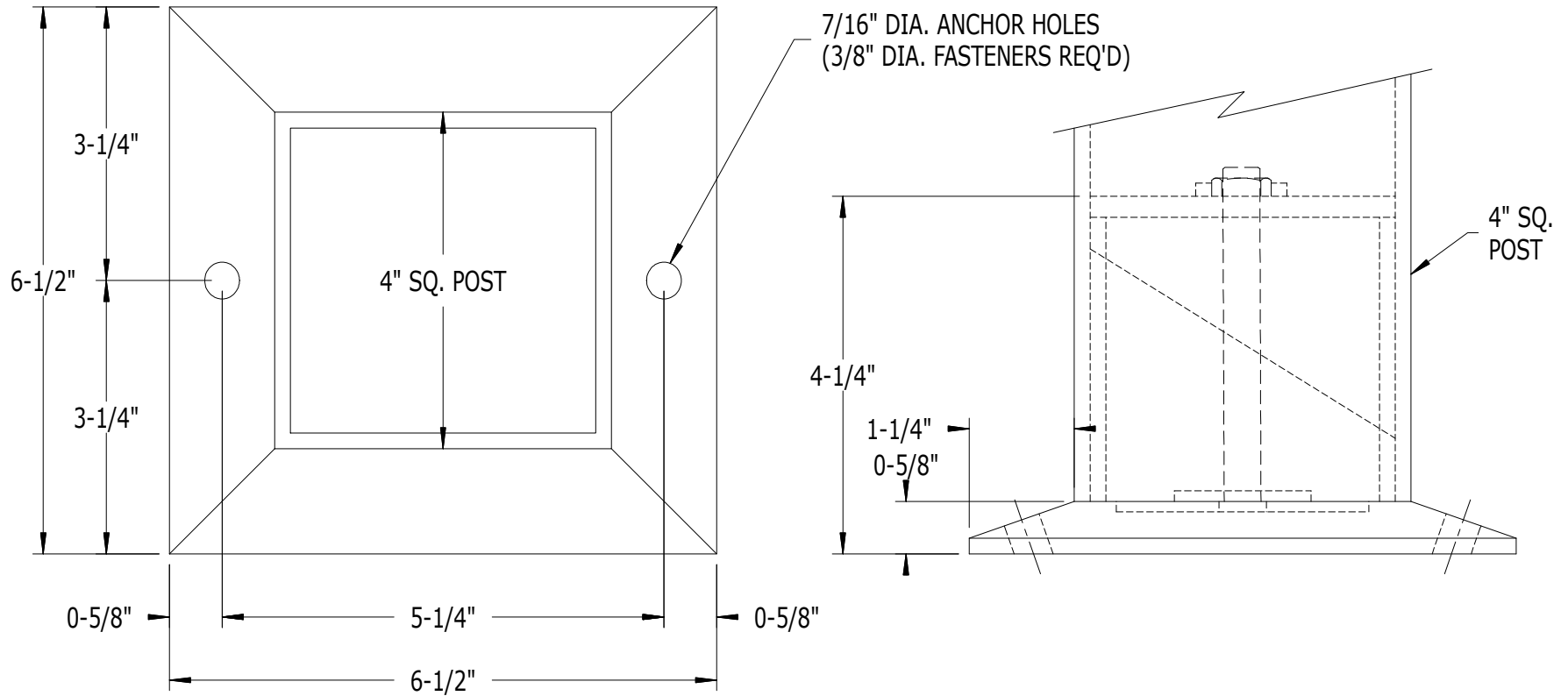


SCALE: 1/2



PART NO.

DESCRIPTION

917

WEDGE BASE FOR 4" SQ. POST

SUPERIOR
ALUMINUM PRODUCTS