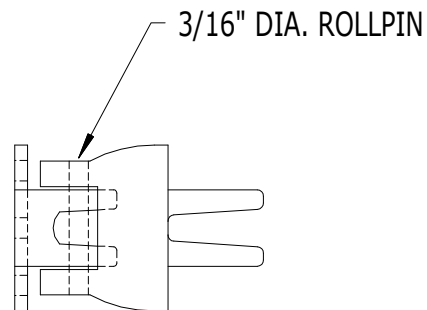
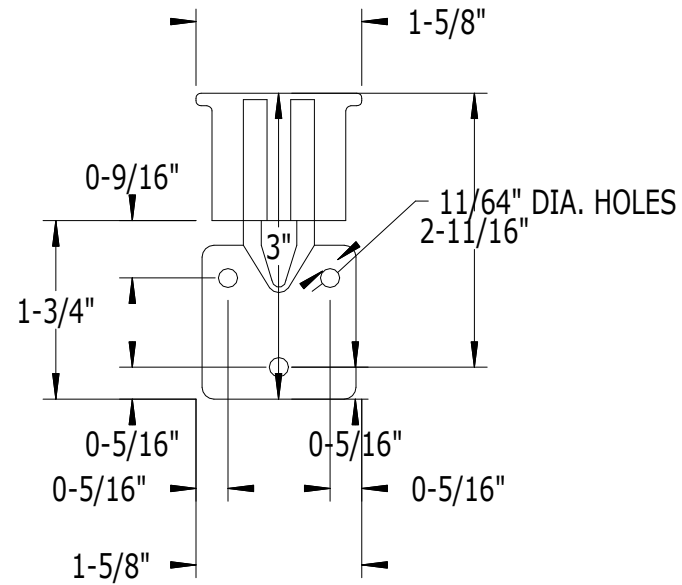
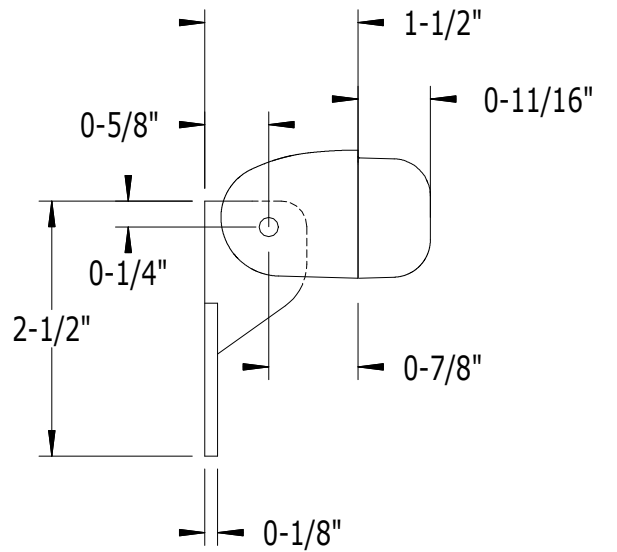


SCALE: 1/1



PART NO.

DESCRIPTION

9056

VERTICAL SWIVEL BRACKET
FOR #9003 BOTTOM RAIL

SUPERIOR
ALUMINUM PRODUCTS