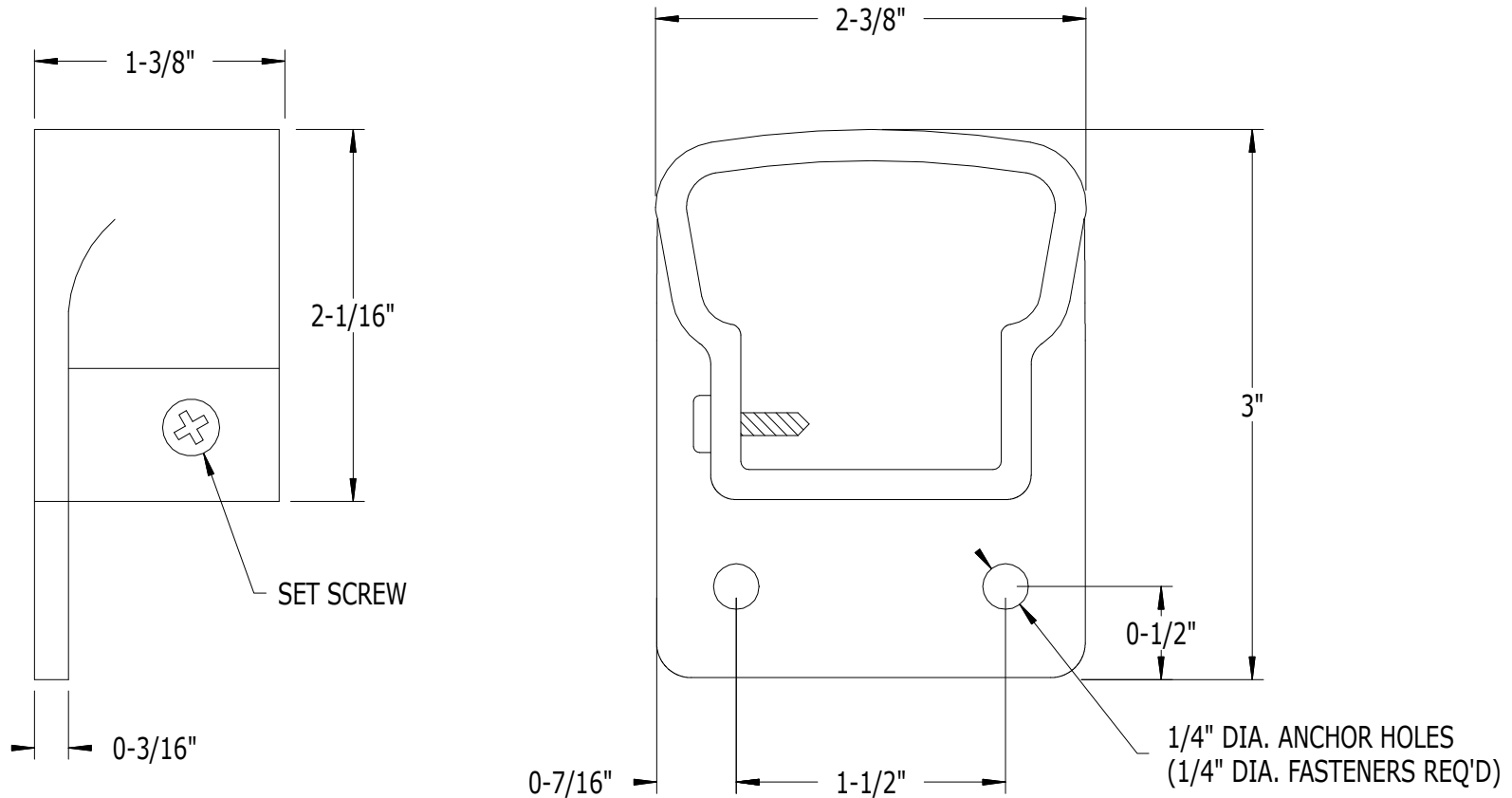


SCALE: 1/1



SET SCREW NOTE

AFTER RAILS ARE IN PLACE DRILL 1/8" HOLE THROUGH BRACKET AND RAIL THEN INSERT #310 SCREW (#8 x 1/2" PANHEAD).

PART NO.	DESCRIPTION
9039T	ADJUSTABLE END BRACKET FOR #9005 TOP RAIL

SUPERIOR
ALUMINUM PRODUCTS