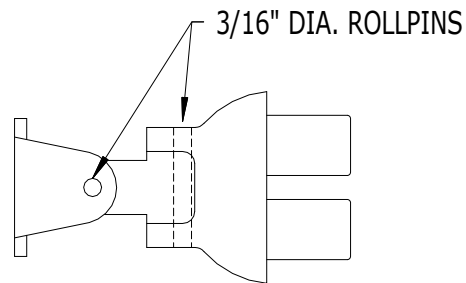
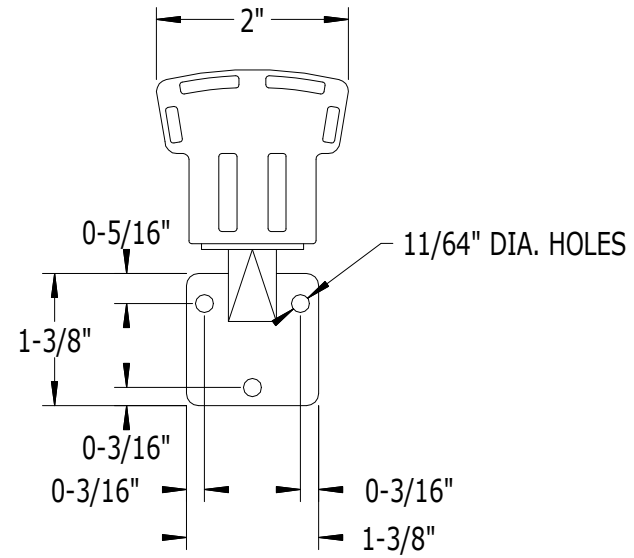
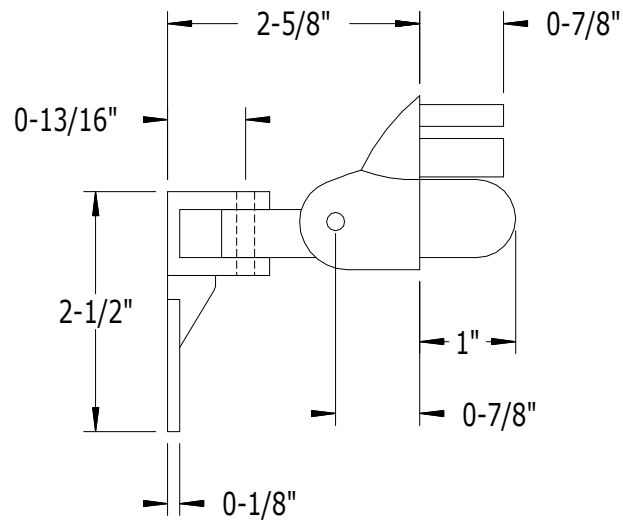


SCALE: 1/2



PART NO.

DESCRIPTION

933T

2-WAY SWIVEL BRACKET
FOR #905 TOP RAIL

SUPERIOR
ALUMINUM PRODUCTS