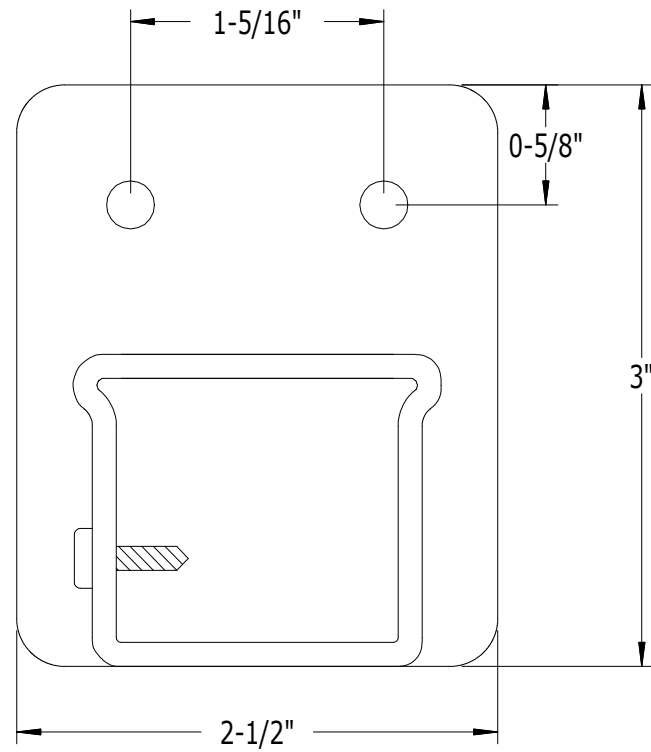
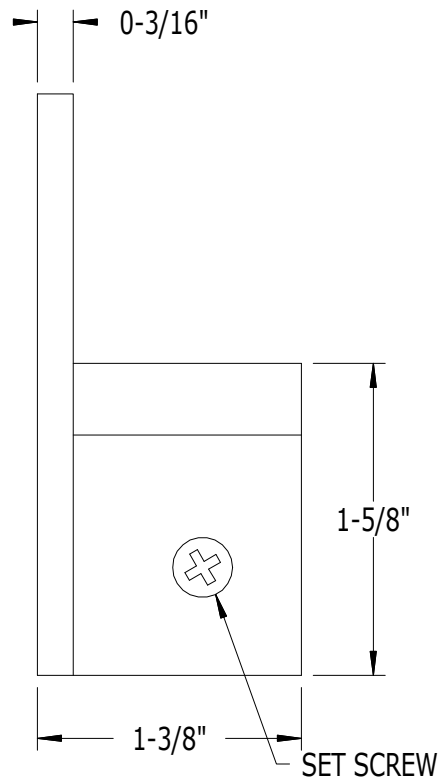



SCALE: 1/1



**SET SCREW NOTE**

AFTER RAILS ARE IN PLACE DRILL 1/8" HOLE THROUGH BRACKET AND RAIL THEN INSERT #310 SCREW (#8 x 1/2" PANHEAD).

PART NO.	DESCRIPTION	
9047B	ADJUSTABLE END BRACKET FOR #9003 BOTTOM RAIL	