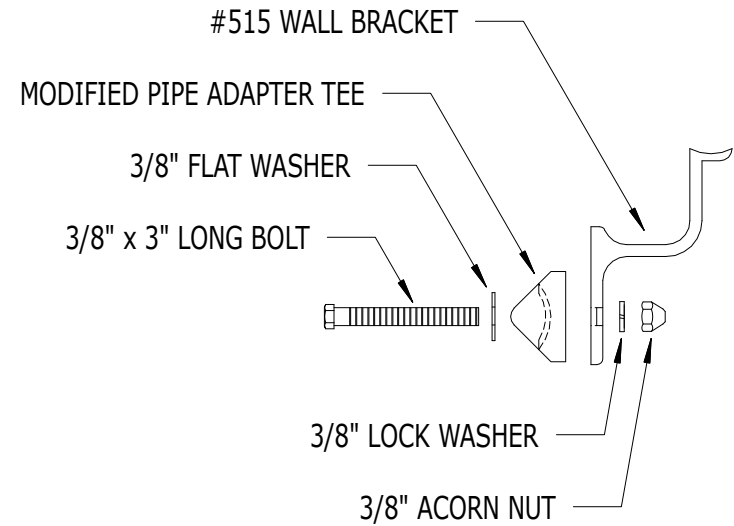
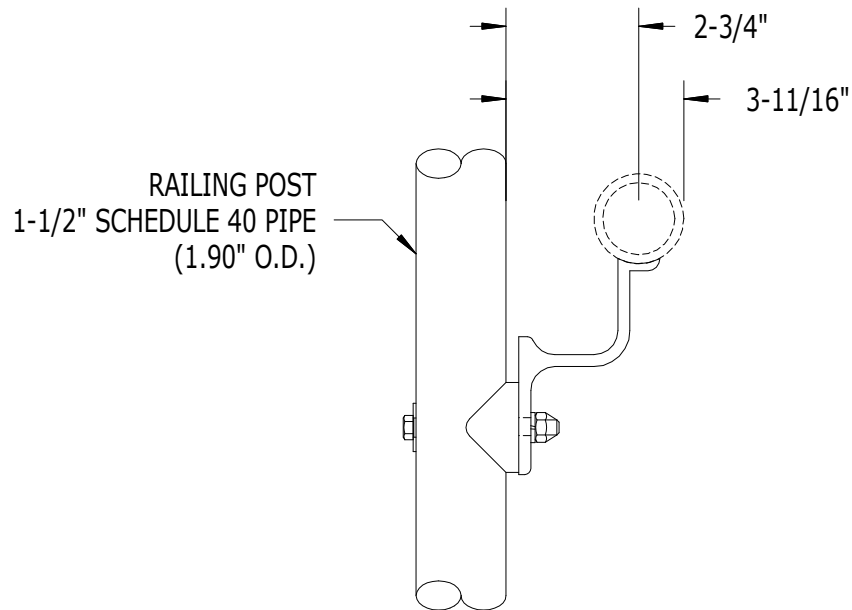


SCALE: 1/4



PART NO.

DESCRIPTION

542

SERIES 500 WALL BRACKET WITH MODIFIED
PIPE ADAPTER TEE AND HARDWARE

SUPERIOR
ALUMINUM PRODUCTS