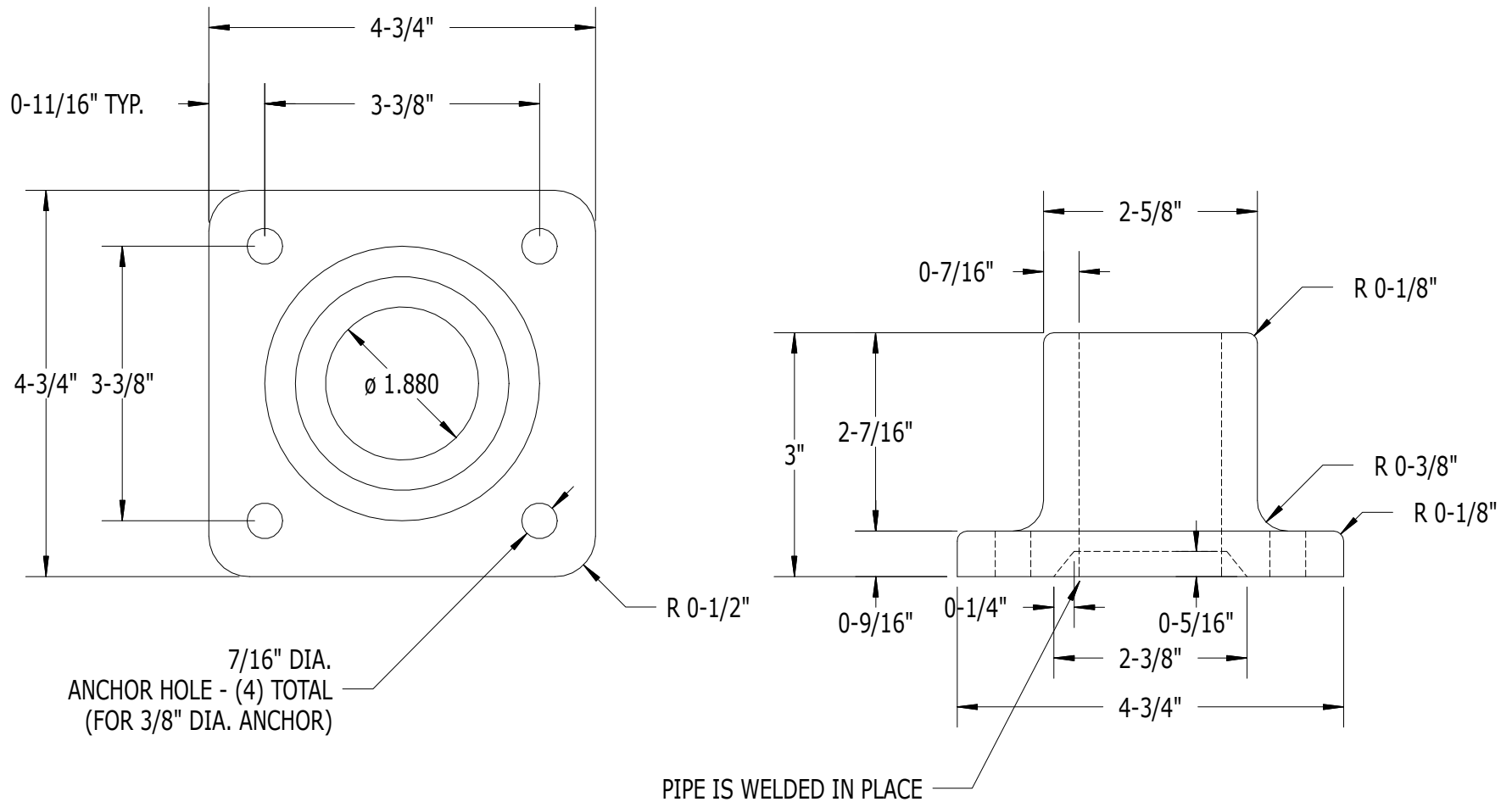


SCALE: 1/2



CAN BE USED ON ANGLES FROM 0-9 DEGREES

PART NO.	DESCRIPTION
541	SERIES 500 HEAVY DUTY BASE

**SUPERIOR**  
ALUMINUM PRODUCTS