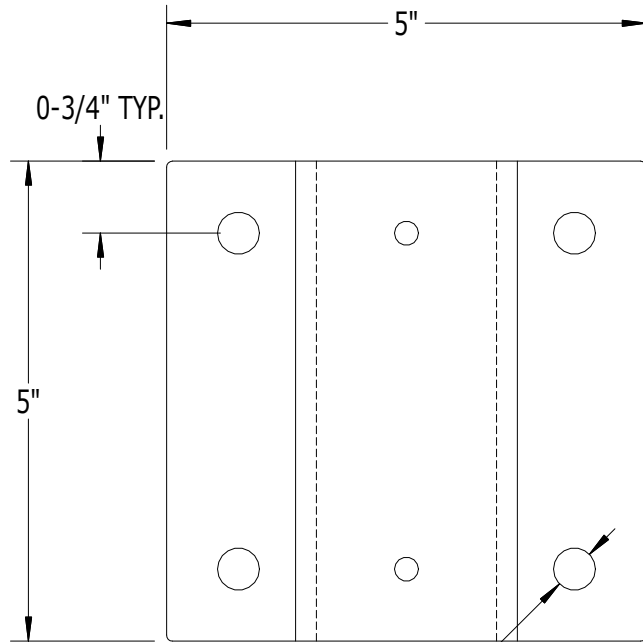
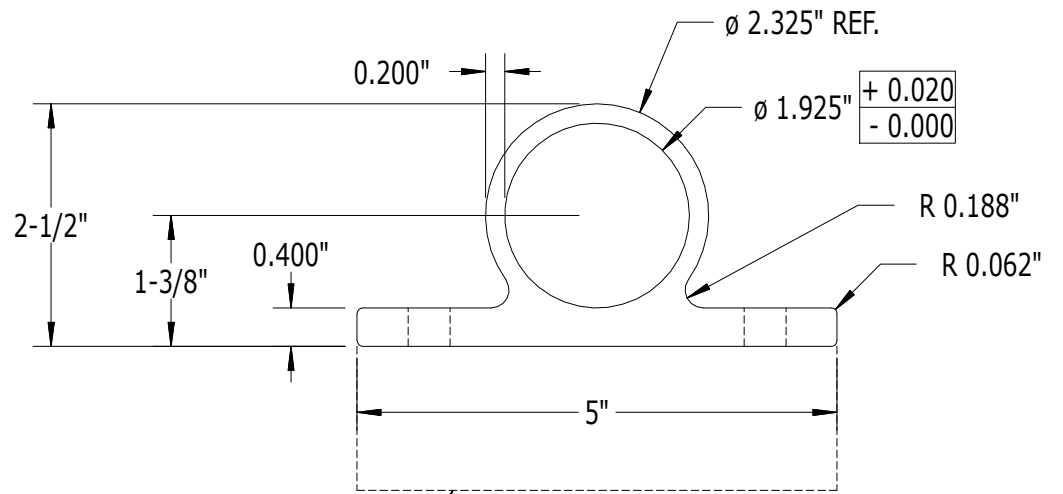


SCALE: 1/2



7/16" DIA.
ANCHOR HOLE - (4) TOTAL
(FOR 3/8" DIA. ANCHOR)



EXTENSION SPACERS ARE AVAILABLE
FOR OFFSET OF RAIL. (SPECIFY DISTANCE)

PART NO.	DESCRIPTION
540	SERIES 500 SIDE MOUNT BASE

SUPERIOR
ALUMINUM PRODUCTS