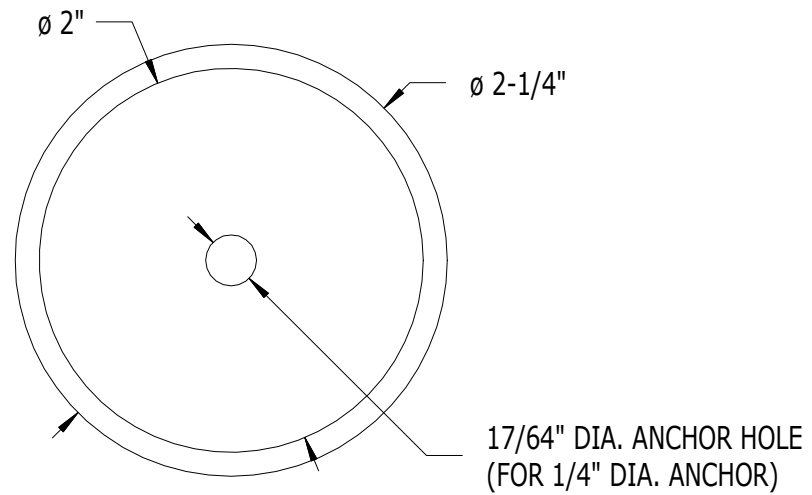
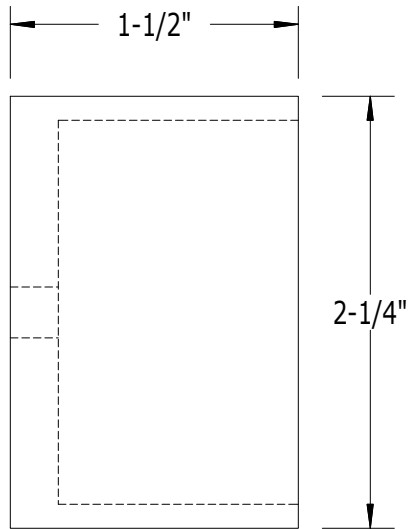


SCALE: 1/1



PART NO.	DESCRIPTION
521	SERIES 500 ADJUSTABLE END BRACKET

**SUPERIOR**  
ALUMINUM PRODUCTS