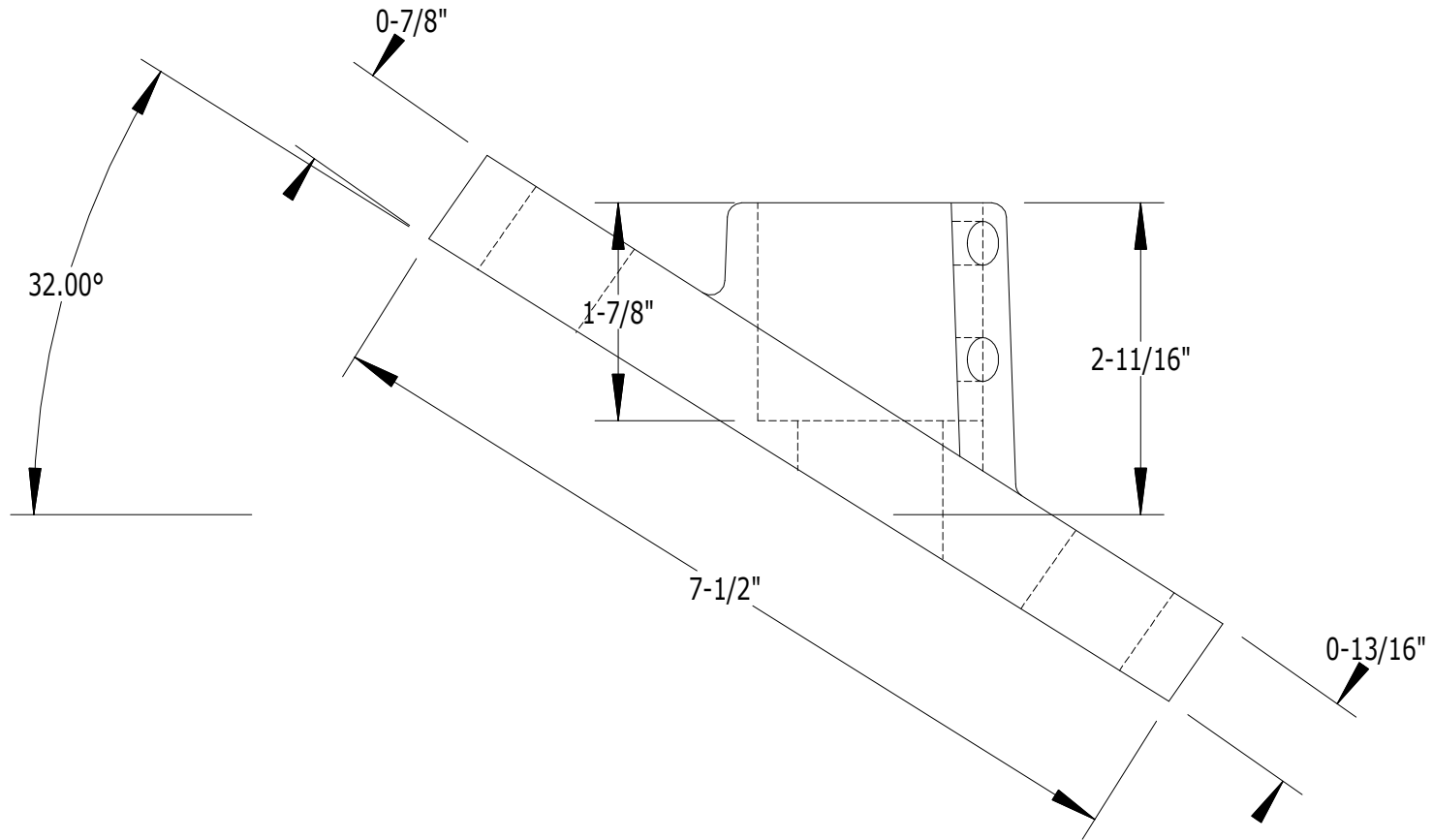


SCALE: 1/8



PART NO.	DESCRIPTION
516	SERIES 500 32 DEG BASE

SUPERIOR
ALUMINUM PRODUCTS