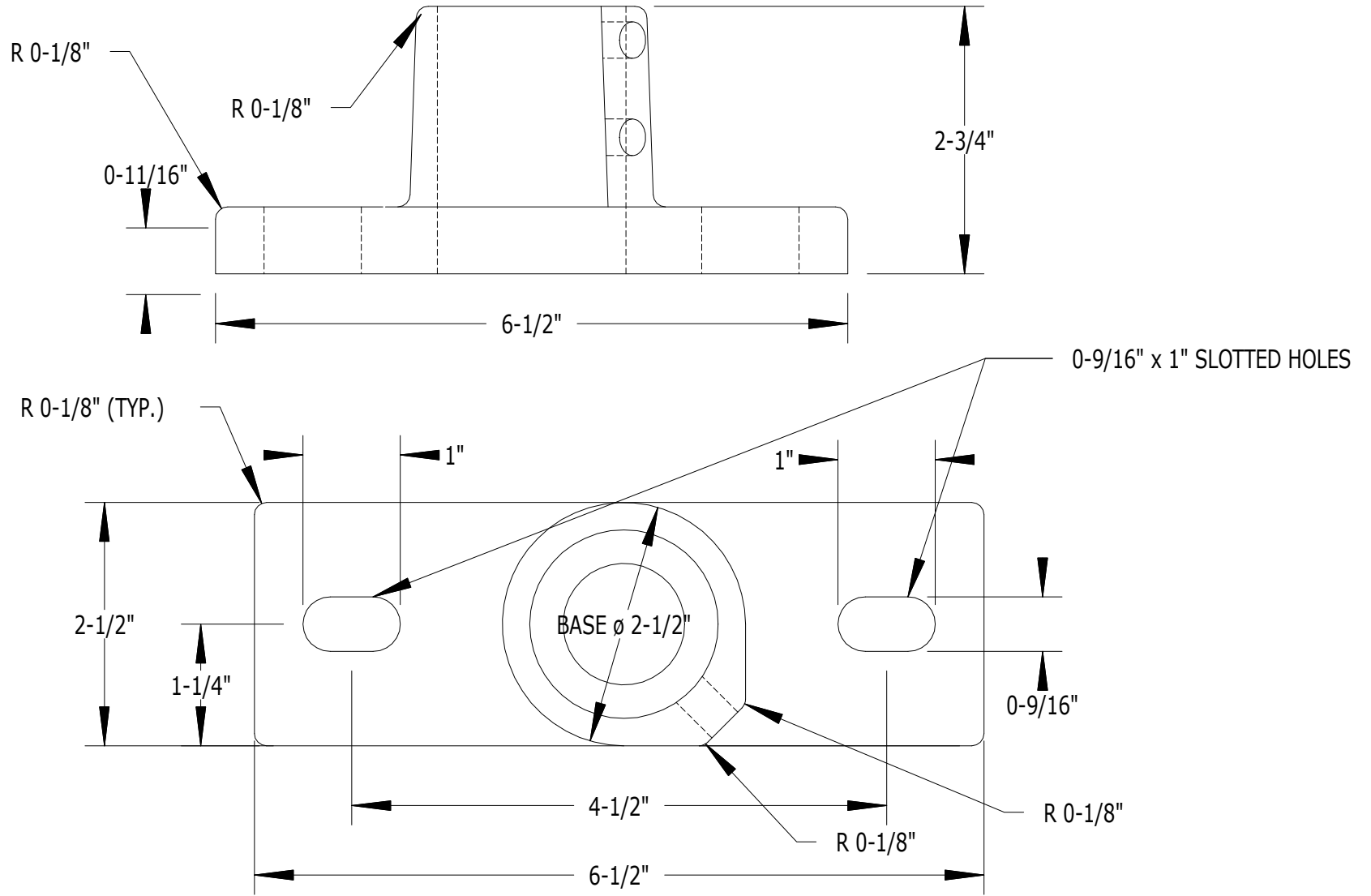


SCALE: 1/8



PART NO.

DESCRIPTION

516

SERIES 500 BASE

**SUPERIOR**  
ALUMINUM PRODUCTS