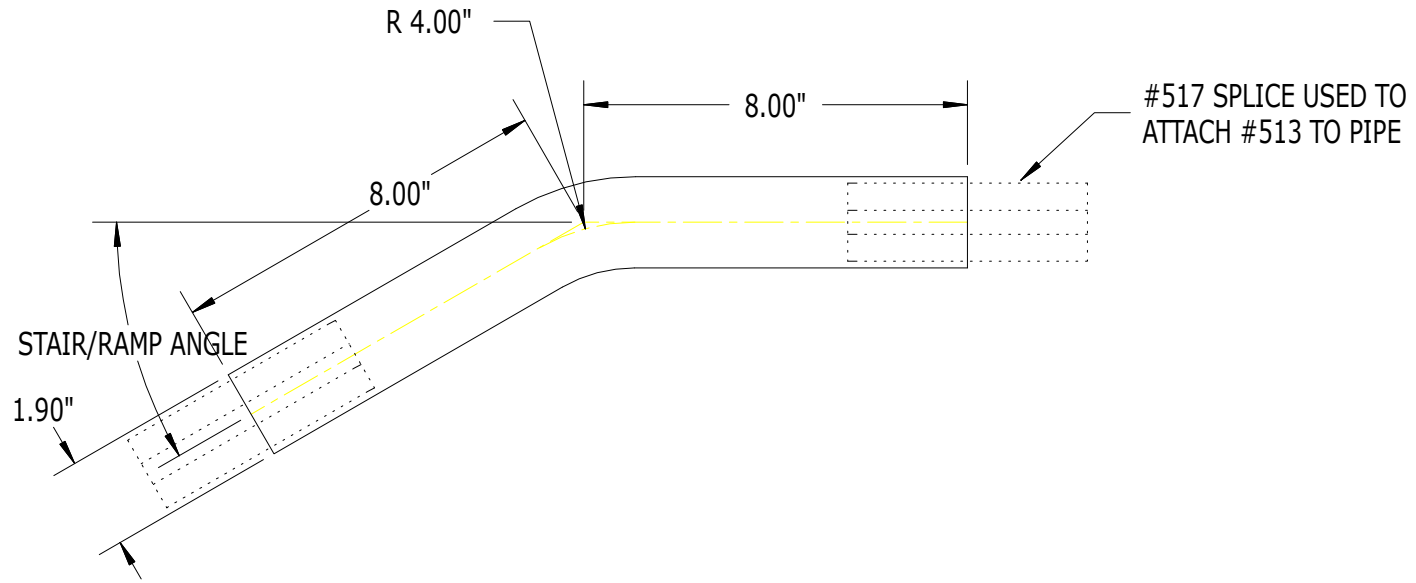


SCALE: 1/4



PART NO.	DESCRIPTION
513	SERIES 500 RAIL ELBOW

SUPERIOR
ALUMINUM PRODUCTS