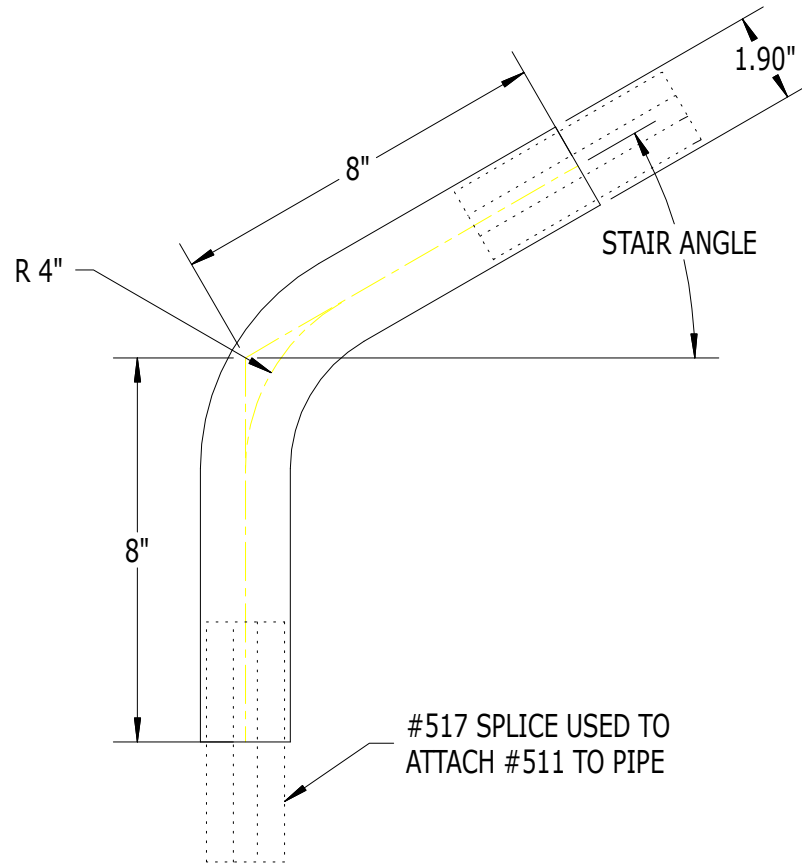


SCALE: 1/4



PART NO.

DESCRIPTION

511

SERIES 500
BOTTOM STEP POST ELBOW

SUPERIOR
ALUMINUM PRODUCTS