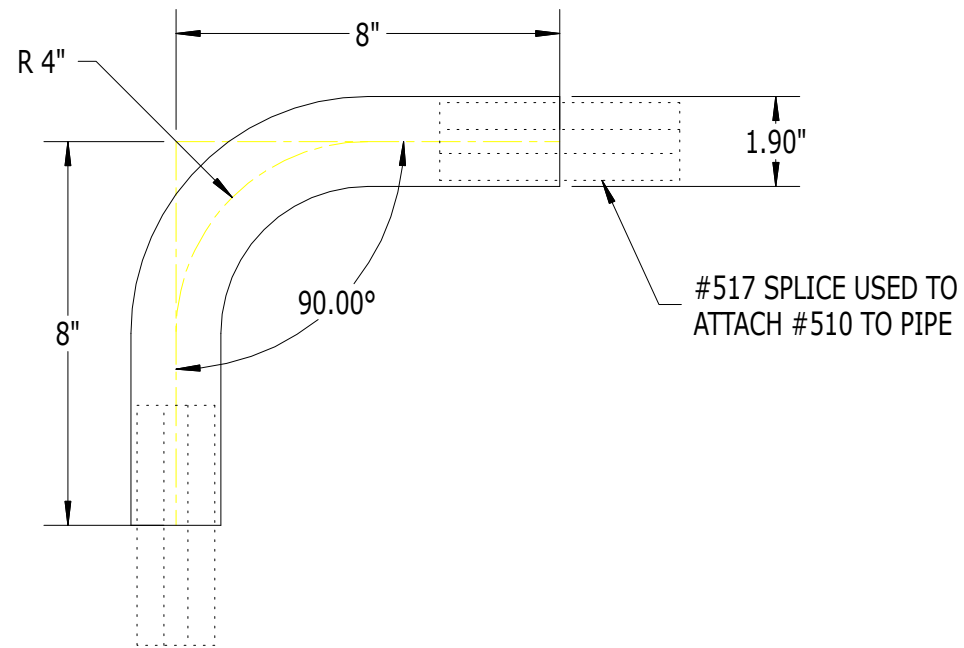


SCALE: 1/4



PART NO.

DESCRIPTION

510

SERIES 500  
90 DEGREE RADIUS ELBOW

**SUPERIOR**  
ALUMINUM PRODUCTS