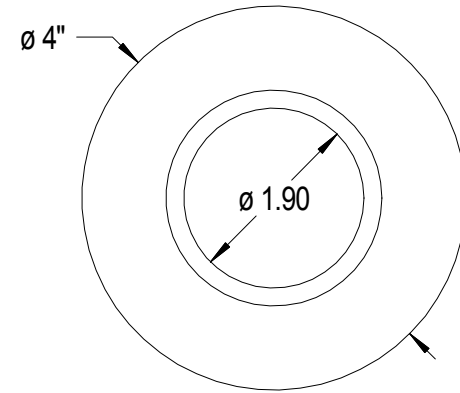
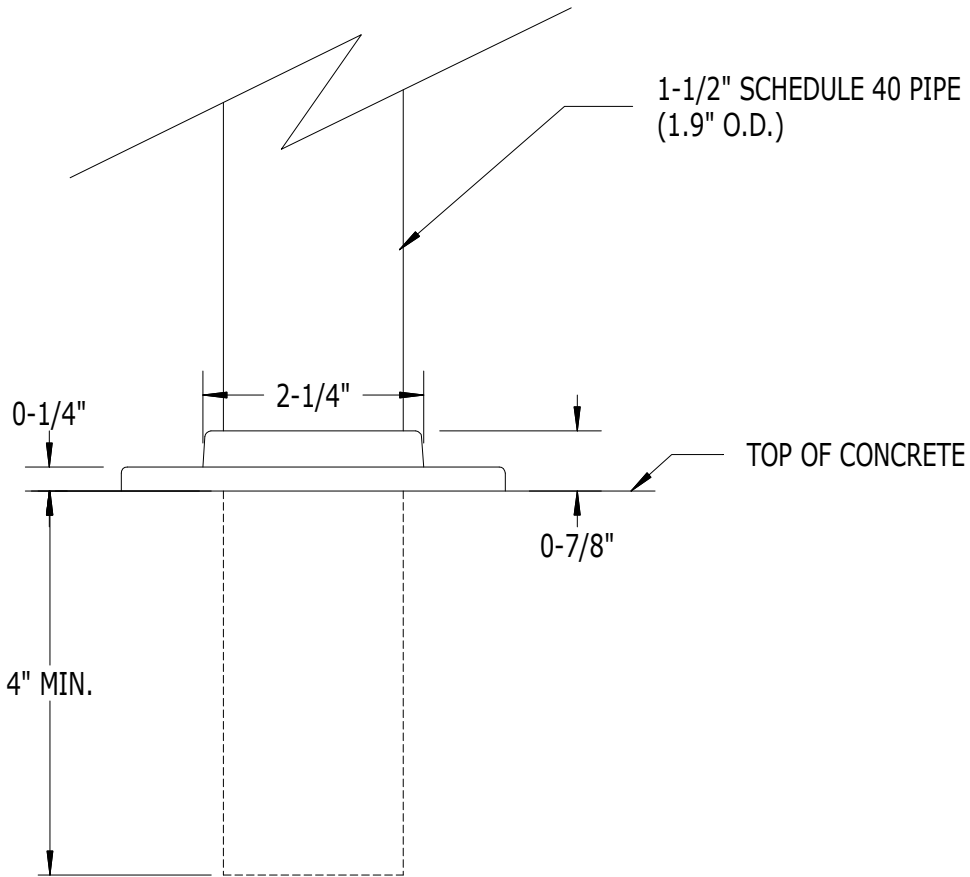


SCALE: 1/2



PART NO.

DESCRIPTION

509

SERIES 500
COVER FLANGE

SUPERIOR
ALUMINUM PRODUCTS