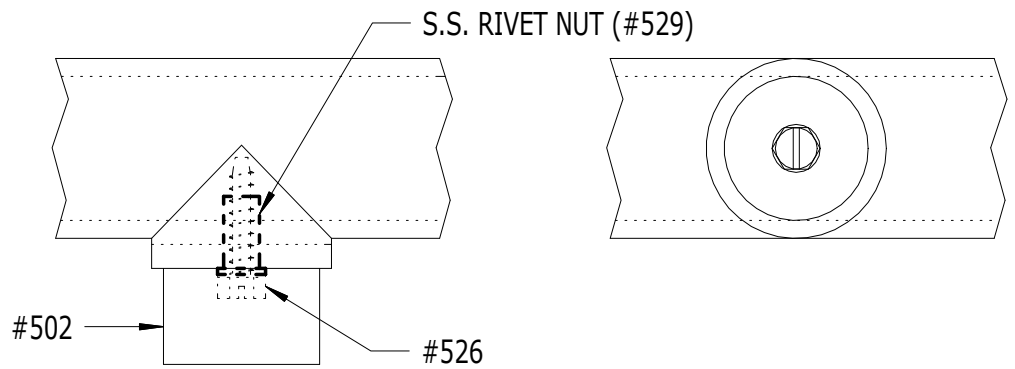
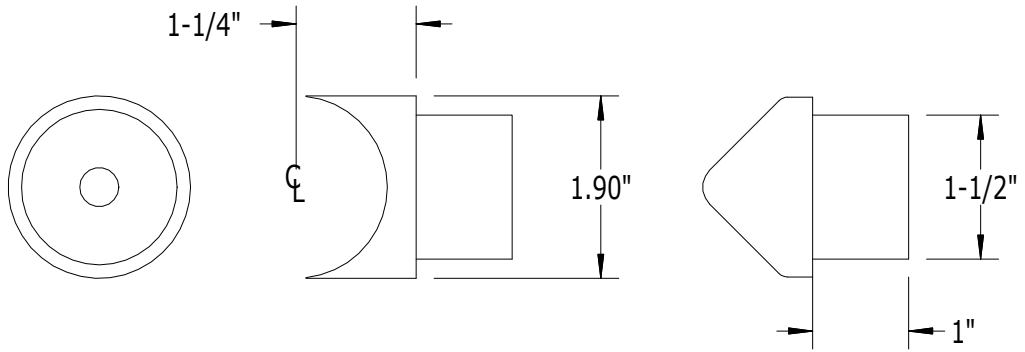
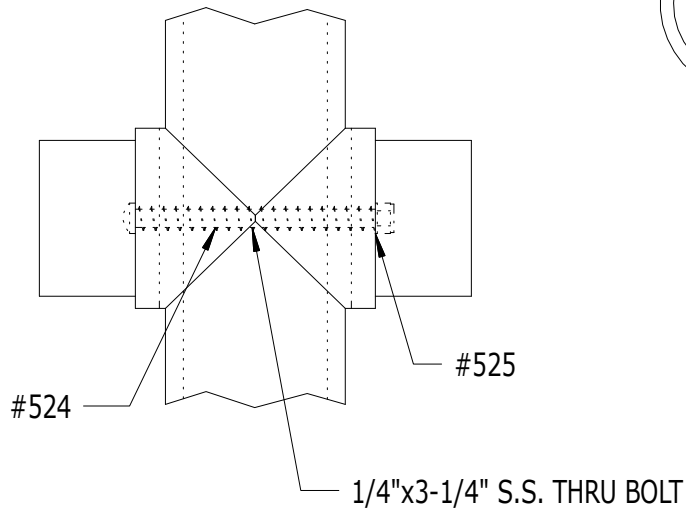



SCALE: 1/2



****THRU BOLT (#524) AND LOCKNUT (#525)
ARE USED FOR ALL #502 OR #504
ANGLE TEES THAT MOUNT OPPOSITE OF EACH
OTHER AT 12 DEGREES OR LESS.**

****A STAINLESS STEEL RIVET NUT (#529) AND A 1/4\"/>**

**NOTE: A STAINLESS STEEL RIVET NUT CAN NOT BE USED AT ANY LOCATION THAT WILL
BE MOUNTING INTO A PORTION OF THE PIPE THAT IS FITTED WITH A REINFORCEMENT ROD.
A 1/4\"/>**

PART NO.	DESCRIPTION	
502	SERIES 500 POST TEE FITTING	