

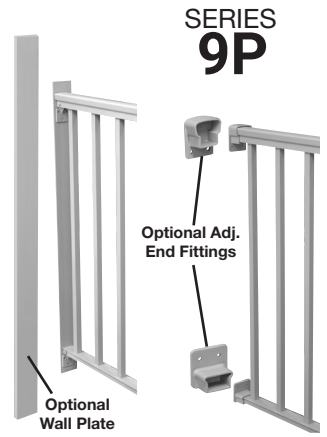
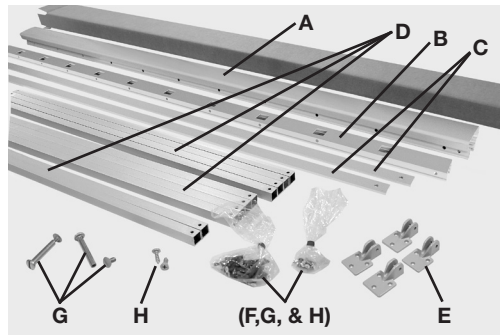
Assembly of Level Railing

Contents of Series 9P: 4 ft. Railing Package

- A-(1) Top Rail
- B-(1) Bottom Rail
- C-(2) Screw Covers
- D-(10) Pickets
- E-(4) End Brackets
- F-(20) Picket Screws
- G-(4) #8 Binding Bolts
- H-(12) Self-Tapping Screws

Contents of Series 9P: 6 ft. Railing Package

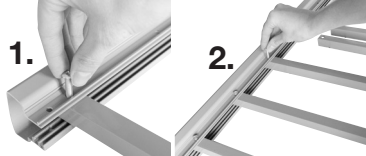
- A-(1) Top Rail
- B-(1) Bottom Rail
- C-(2) Screw Covers
- D-(16) Pickets
- E-(4) End Brackets
- F-(32) Picket Screws
- G-(4) #8 Binding Bolts
- H-(12) Self-Tapping Screws



CAUTION Before performing any work, be sure to refer to and follow all standard industry safety precautions. In addition, Superior Aluminum Products, Inc. recommends that all installers wear appropriate protective items, such as safety glasses, work gloves, and steel toed shoes, whenever performing work on Superior Aluminum's products.

Tools Required: Tape measure, battery operated drill with adjustable torque clutch, Phillips and flathead screw driver bits, 1/8" and 13/64" twist drill bits, (hacksaw or cutoff saw-if required), hammer, small square and pencil.

Step 1. Locate picket so picket hole aligns with hole in top rail. Drop in aluminum picket screw through holes and turn into top rail. **Do Not tighten.**

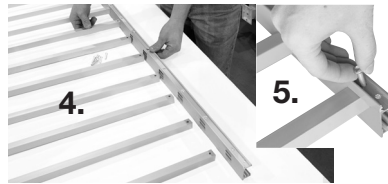


Step 2. Follow same procedure for attaching each picket to top rail.

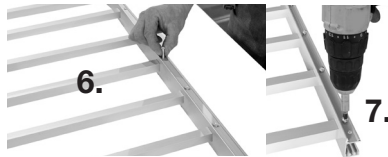
Step 3. Locate end picket in square hole in bottom rail. Align holes, then drop in aluminum picket screw. Hand turn screw into bottom rail. **Do Not tighten.**



Step 4. With end picket screw in place, ease the next picket in rectangular slot (gradually one at a time) until all pickets are in place.



Step 5. After the last picket is in place, insert and hand tighten the picket screw to keep assembly together.



Step 6. Insert, align and hand turn all picket screws in bottom rails.



Step 7. With all picket screws in place, tighten all screws. **Do Not overtighten.** Start with lowest clutch torque setting, then gradually increase for proper torque.

Step 8. Install the screw covers by matching the end of the screw cover channel with the end of the rail channel and sliding them together until the ends are flush. Screw covers should be installed on both the top and bottom rail.



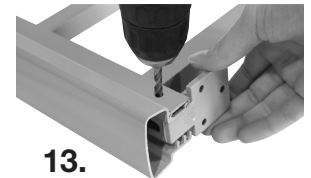
Step 9. Insert end bracket into bottom rail. **Note:** Before proceeding with Step 9, refer to "Railing Dimensions" below and "Shortening a Railing Section" on back side of sheet if railing shortening is required.



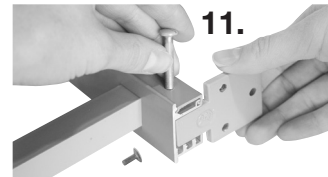
Step 12. Insert end bracket into top rail.



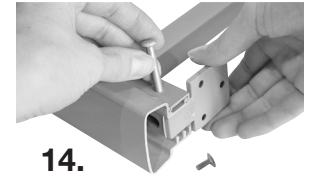
Step 10. Use a 13/64" diameter drill to align holes in end bracket to holes in bottom rail.



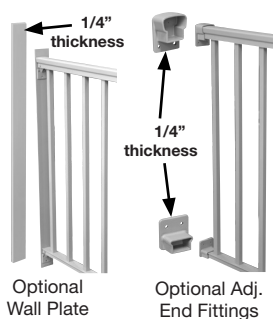
Step 13. Use a 13/64" diameter drill to align holes in end bracket to holes in top rail.



Step 11. Insert a #8 female binder bolt. Turn male binder bolt screw into female binder bolt and tighten to secure assembly. Follow the same procedure on opposite end of bottom rail.



Step 14. Insert a #8 female binder bolt. Turn male binder bolt screw into female binder bolt and tighten to secure assembly together. Follow the same procedure on opposite end of top rail.

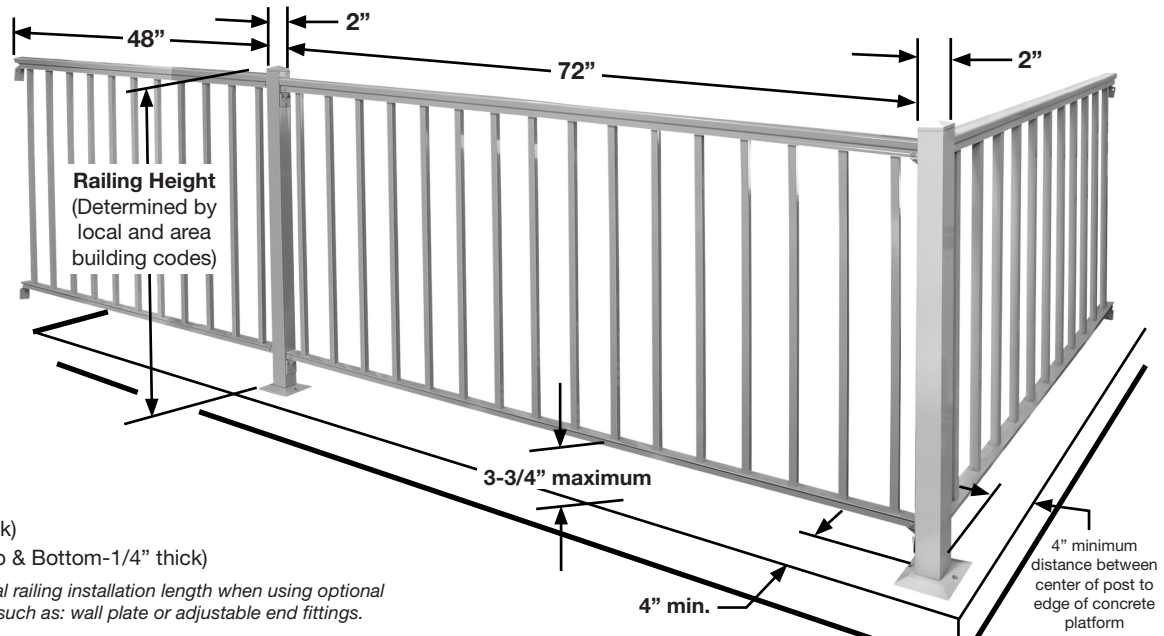


Railing Dimensions

(Prior to cutoff or railing shortening-if required)

- Four Foot Sections (48" lg.)
- Six Foot Sections (72" lg.)
- Square Post (2" Sq.)
- *Optional-Wall Plate (1/4" thick)
- *Optional-Adj. End Fitting (Top & Bottom-1/4" thick)

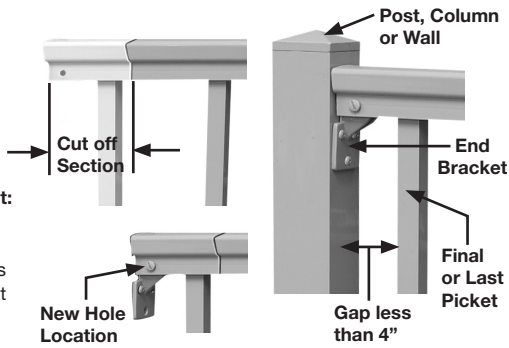
*Be sure to subtract 1/4" from total railing installation length when using optional mounting parts on a section end, such as: wall plate or adjustable end fittings.



Shortening a Railing Section

(If Required)

When shortening a railing section, it is **imperative** that the gap between last picket and post is less than 4". Use a hacksaw or a cut off saw. Remove any burrs from sawcut. **Important: Do not discard cut-off section**, since the pre-drilled hole locations can be used as a new hole location alignment guide for Step 9 on opposite side of sheet.

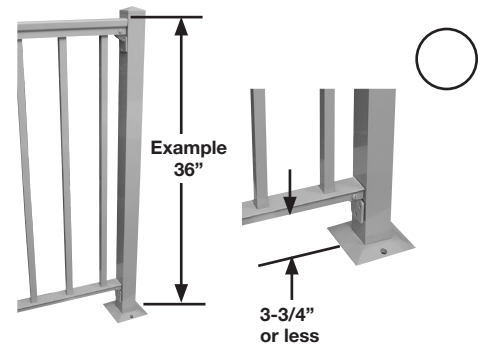


NOTE: To meet Code Requirements, it is **imperative** when trimming rail between the final picket and the end brackets (see illustration above), that there be less than a 4" space.

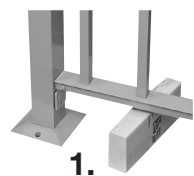
Determining Railing Height

SERIES
9P

The railing height or distance measured from floor to top of top rail surface is determined by your local area building codes. For example: A building code that requires a 36" high railing (top rail height), means that a total of 36" (inches) is required from floor (ground) to top rail surface. The bottom rail distance above ground (or floor) is 3-3/4" or less. **Important:** A sphere 4" in diameter shall **not pass** through the railing at any point.



To Attach Railing To Post



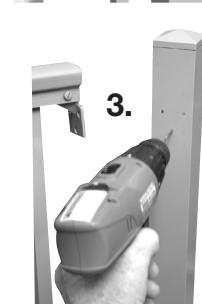
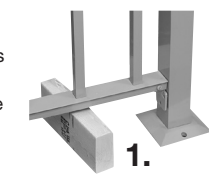
Step 1. Cut several wood spacers to prop up the railing so the top rail is at the required building code height.

Step 2. When required railing height is achieved, position post against railing end brackets. Using holes in end brackets as a template, mark each mounting hole location. Mark the hole locations at top, bottom and on each rail section end. **See "Note" below.**



Note: Before pencil marking end bracket mounting holes on post, check that post base mounting holes are facing in opposite directions to railing sections as shown in photo at left. The reason for this is that it is easier to install post base mounting bolts. Disregard this "Note" for railing corner post.

Step 3. Drill 1/8" holes in post for mounting location of top and bottom rails.



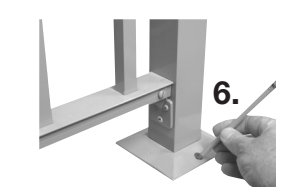
Step 4. To secure the end bracket to the post use (3) #8 x 1/2" stainless steel self-tapping screws (furnished) for each end bracket. Follow same procedure for the remaining three rail section ends. **Installation Tip:** Note that a 6" shaft extension fitted to the phillips screw driver bit aids in the job and helps to prevent scratching the paint.



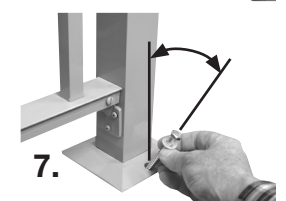
Step 5. Straight and corner sections can be pre-assembled together prior to attaching to platform or ground level.



Step 6. Locate assembled posts and railing onto final mounting position. Use the 2 post base holes as a template and mark mounting holes on platform or floor surface.



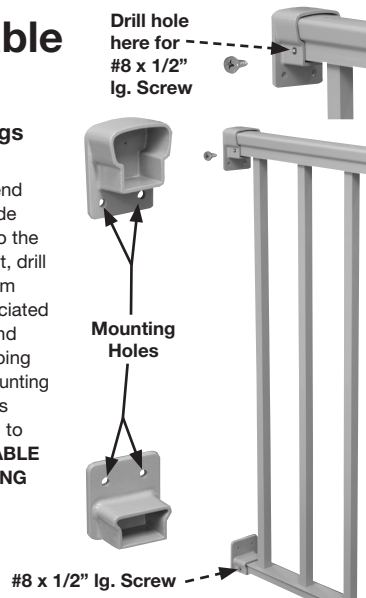
Step 7. The hole to be drilled into the mounting platform should be angled, so it is approximately perpendicular to, (or 90 degrees to) the angled, sloped post base. The diameter of the fastener used must be a minimum of 3/8". The exposed fastener and washer should be stainless steel. Two drilled holes (one on opposite sides) are required for each post. **CHECK APPLICABLE STATE, LOCAL AND FEDERAL BUILDING CODES FOR SPECIFIC FASTENING REQUIREMENTS.**



Optional Adjustable End Fittings

Attaching Adjustable End Fittings to Building Structure

Locate and slide the top rail adjustable end fitting onto top rail. Next position and slide the bottom rail adjustable end fitting onto the bottom rail. Using a 1/8" diameter drill bit, drill a hole through one side of top and bottom adjustable end fittings and through associated top and bottom rails. Then secure adj. end fittings to rails with a #8 x 01/2" self-tapping screw. Each adjustable fitting has two mounting holes for inserting 1/4" diameter stainless steel screws to secure the railing section to the building structure. **CHECK APPLICABLE STATE, LOCAL AND FEDERAL BUILDING CODES FOR SPECIFIC FASTENING REQUIREMENTS.**



Optional Wall Plate

Attaching Wall Plate to Building Structure

The wall plate is commonly used to secure railing sections to brick, stone or masonry wall structures. It allows for locating and drilling mounting holes at mortar joints. Refer to steps below for attaching wall plates.

Step 1. Mark mounting holes on wall plate using each end bracket as a template.
Step 2. Drill 1/8" holes through wall plate.
Step 3. Attach wall plate to end brackets using (3) #8 x 1/2" stainless steel screws.
Step 4. Grind or saw off any protruding screw ends.
Step 5. Drill (2) 9/32" holes through wall plate at mortar joint locations.
Step 6. Insert and tighten screws to secure railing section to wall. **CHECK APPLICABLE STATE, LOCAL AND FEDERAL BUILDING CODES FOR SPECIFIC FASTENING REQUIREMENTS.**

